

LITTER BINS | EASY RANGE



BAG HOLDER EASY

Reference: 21 1100 S000 00J0
 Round version | Capacity : 110 litres
 Lid | Front collection

Colours

Umbra grey Ral 7022

Colours can be selected from the RAL shades or other textured shades from the Akzo Nobel Futura range.

Presentation

This furniture is an solution halfway between a litter bin and a bag holder. Its thin metal rods give transparency and lightness enabling the litter bin to meet the requirements of the counter terrorism policies. It is functional and efficient: its design allows easy emptying.

Description

The Easy bag holder is entirely made of zinc and powder coated steel and is made of a body and a lid.

The body is made of 28x Ø10 mm curve rods, of a base, of 2 lids at the top and of a bottom 4 mm thick and a fixed bag holder (for a front collection model) or an articulated bag holder equipped with a bungee cord and metallic ring (for a top collection model).

The lid consists of a 4 mm thick metal sheet and 2 hinges, 6 mm thick.

The lid is articulated by a hinged axle. When closed, the lid is cushioned by 2 rubber stops.

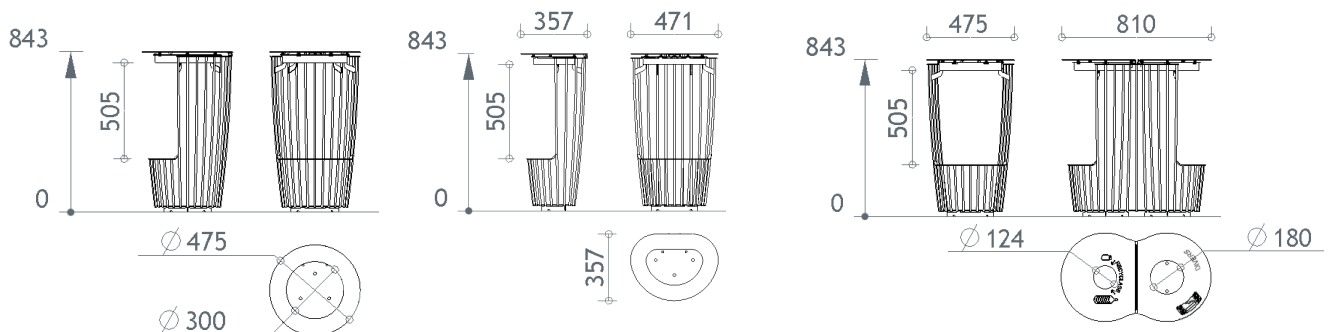
When the lid is closed on the bag holder, the waste bag is blocked.

For optimum protection against rust and long-term performance, the steel elements are zinc coated first, and go through our powder blast process (after having being cleaned and shot-blasted, the parts are coated with a primary layer of epoxy powder, followed by a second layer of polyester powder).

3 sealing points Ø 15 mm | 6 sealing points fro the double stream version.

Delivered assembled.

Dimensions



Easy round 110 litres

Front collection
 Ref. 21 1100 S000 00J0
 Weight: 22 kg

Easy wall fixing 75 litres

Front collection
 Ref. 21 1300 S000 00J0
 Weight: 20 kg

Easy double stream 2 x 100 litres

Front collection
 Ref. 21 1200 S000 00J0
 Weight: 34 kg



The mark of responsible forestry

LITTER BINS | EASY RANGE

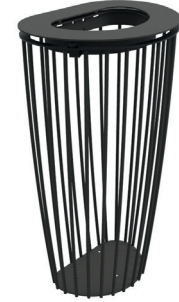
➤ Design & fonctionnalités

Various functions are available on this round or half-round bag-holder to answer to the many operational problems of cleanliness: front or top collection, with or without a lid, ashtray, cigarette snuffer, identification strip, selective sorting, rodent-proofing, fixing on a post...



Round version
Top collection of the bag

Round version
Capacity: 110 litres
Lid | **Front collection**
Colours: Umbra grey Ral 7022



Wall fixing version
Top collection of the bag

Wall fixing version
Capacity: 75 litres
Lid | **Front collection**
Colours: Umbra grey Ral 7022

EASY | AN INNOVATIVE SOLUTION



UNIQUE BAG BRIDLING SYSTEM
(European patent application published)

SAFE AND UNOBSTRUCTED SETTING UP OF THE BAG

ERGONOMICALLY DESIGNED WASTE BAG GRIPPING OPENING



HIGH STRENGTH DUE TO THE STEEL THICKNESS AND THE BENDING PROCESS



HOLDING THE BAG IN CASE OF WIND



FOR COUNTER TERRORISM PURPOSES: 82% OF TRANSPARENCY



IDENTIFICATION STRIP FUNCTIONALITY BY CHOICE



RIVETED CIGARETTE SNUFFER IN 316L STAINLESS STEEL FUNCTIONALITY BY CHOICE



The mark of responsible forestry

EASY | OPTIONS & FEATURES



Lid

The lid has a 300 mm diameter opening for waste and 2 rubber cushions.



Bungee cord

The 6 mm diameter bungee cord consists of a ring with an internal diameter of 30 mm made of 316L stainless steel, 3 mm thick.



Identification strip

The identification strip is a laser-cut steel piece that is screwed to the back of the litter bin. It can have several functions :

- it meets accessibility standards. The colour of the strip represents a contrast to the body of the litter bin, allowing visually impaired people to distinguish this obstacle in the pedestrian walkway.
- it can also be used as a communication tool: the city can use different colours to distinguish different types of waste. It can also have a communication function during events.

The visibility strip can be combined with all other available features.

The banner is **available in all colours** and can be customised by laser cutting. The cover and/or body can be painted in a different colour than the strip.



Cigarette snuffer (available on all models | front or top collection, wall fixing, round, with or without lid)

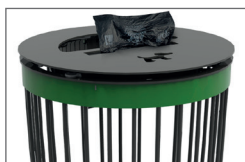
This bag-holder has a wide opening for easy waste disposal and a 316L stainless steel cigarette snuffer is fixed to the body with 4 stainless steel rivets, with or without lid.



Ashtray

The ashtray is made of 316L stainless steel. When the lid is opened, the cigarette butts are automatically emptied into the waste bag. This system avoids any further handling by the collection employer and therefore no contact with the cigarettes butts.

Capacity of the ashtray: 1 L or 400 cigarettes butts.



Dispenser for dog waste (only on models with top collection)

The dog waste bag dispenser is made of 316L stainless steel. A «dog» laser-cut is on the lid so that the user can identify the functionality of the bin. The dog waste bag roll is housed in a receptacle. A slot on the lid allows the user to easily remove the bag from the receptacle. The dedicated shape of the mechanism has been designed so that the roll cannot get out of the receptacle. The roll is easy to set up the roll: no tools or special handling is required.



Anti-rodent basket

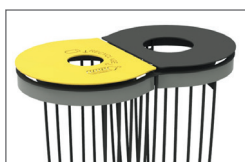
The anti-rodent basket attached to the bottom of the litter bin reduces the gaps and prevents rodents from accessing to the waste bag.

Made of 2 mm thick zinc and powder coated steel, the basket consists of a laser-cut metal sheet and of a bottom.



On post fixing

The fixing to an existing post is carried out using 2 flanges and 2 metal straps (straps not supplied).



Selective sorting

The lids of the bag-holder have two openings to encourage selective sorting.

The lids are made of a 4 mm thick metal sheets and 2x 6 mm thick hinges. The lids are of different colours and allow the identification of two sorting zones, encouraging the user to be environmental friendly.

