

BICYCLE GUARD | SQUARE ARCH



STEEL SQUARE ARCH
Ref: 43 0130 / 43 0131



WOOD AND STAINLESS STEEL SQUARE ARCH
Ref: 43 0500 INOX / 43 00501 INOX

Colours

Colours shown:

Steel model: Grey sand 900
Wood/stainless steel model :
Wood: natural shade
Tube: stainless steel

Colours can be selected from the RAL shades or other textured shades from the Akzo Nobel Futura range.

Presentation

The bicycle guard encourages the development of cycling in the city.

The bicycle guard has been designed and developed in a specific Sineu Graff eco-design approach. They have a sober design. This design has been optimised to reduce raw materials and energy to manufacture.

Description

Steel model:

The bicycle guard is made of a 50 x 40 mm steel oval frame, 2 mm thick.

For optimum protection against rust and long-term performance, the steel elements are zinc coated first, and go through our powder blast process (after having being cleaned and shot-blasted, the parts are coated with a primary layer of epoxy powder, followed by a second layer of polyester powder).

Wood and stainless steel model:

The bicycle guard is made of a 80 x 80 mm wooden frame and a 316 L grade stainless steel fixing tube, Ø 33.7 mm and 2.9 mm thick.

After the application of a **flow coat**, the wood is coated with an aqueous, solvent-free wood stain emulsion to guarantee added protection and durability.

Our woods are exclusively collected in sustainably managed forests. Of high quality, they are PEFC labeled for local sourcing, FSC® labeled for exotic hardwoods, or comply with the EUTR (EU Wood Regulations).

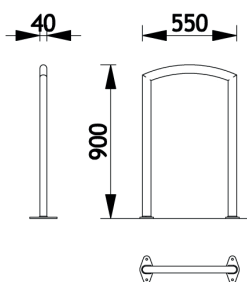
The stainless steel elements are made of treated stainless steel, after manufacturing, by sanding and electro-polishing.

The sealing base plates are 5 mm thick.

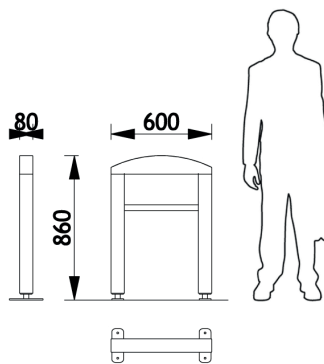
4 sealing points, Ø 11 mm, for the base plate version.

Delivered assembled.

Dimensions

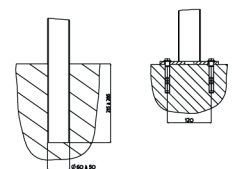


Steel square arch
Ref: 43 013x - 6 kg



Wood/Stainless steel square arch
Ref: 43 050x - 15 kg

Sealings



To be buried
TYPE A

Base plate
TYPE B

