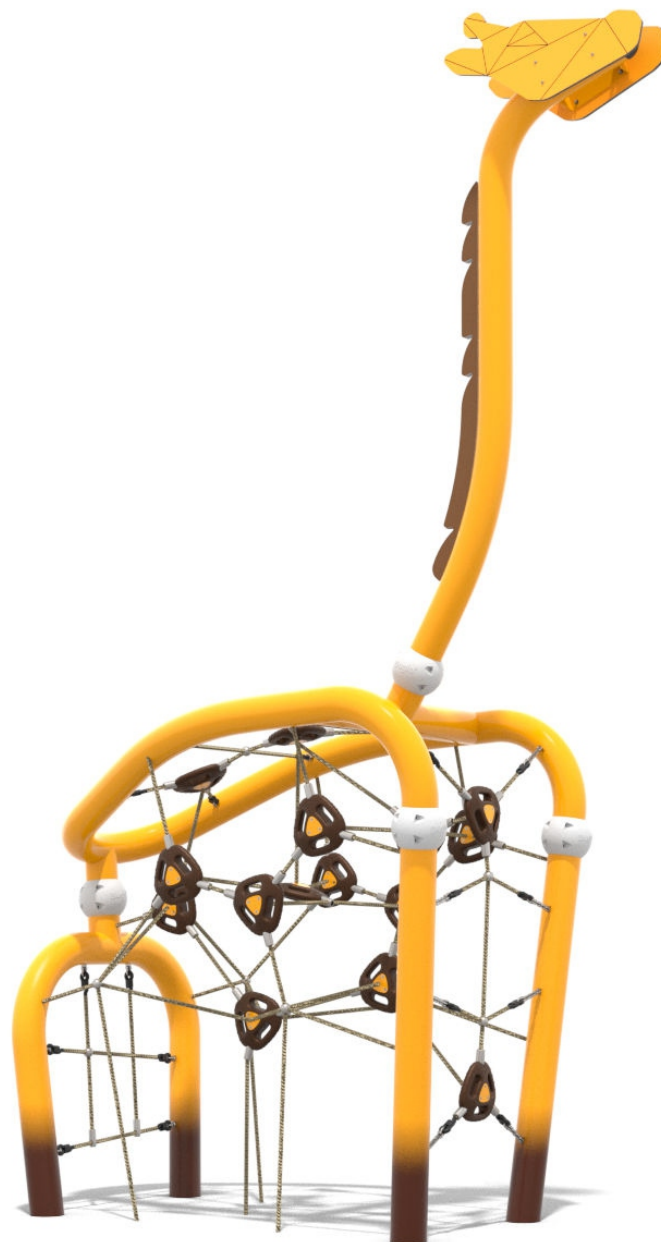


9308



Information about the product

Dimensions	272 x 127 cm
Safety zone	572 x 494 cm
Safety zone area	24 m ²
Overall height	462 cm
Free fall height	200 cm
Amount of users	9
Product complies with EN 1176-1:2017-12	Yes
Availability of spare parts	Yes
Age range	3-12

According to EN 1176-1:2017-12 norm, the product requires applying a safety surface according to the product's free fall height.

Functions



Climbing



Balancing



Socializing



COLOUR
WAVE MASTER

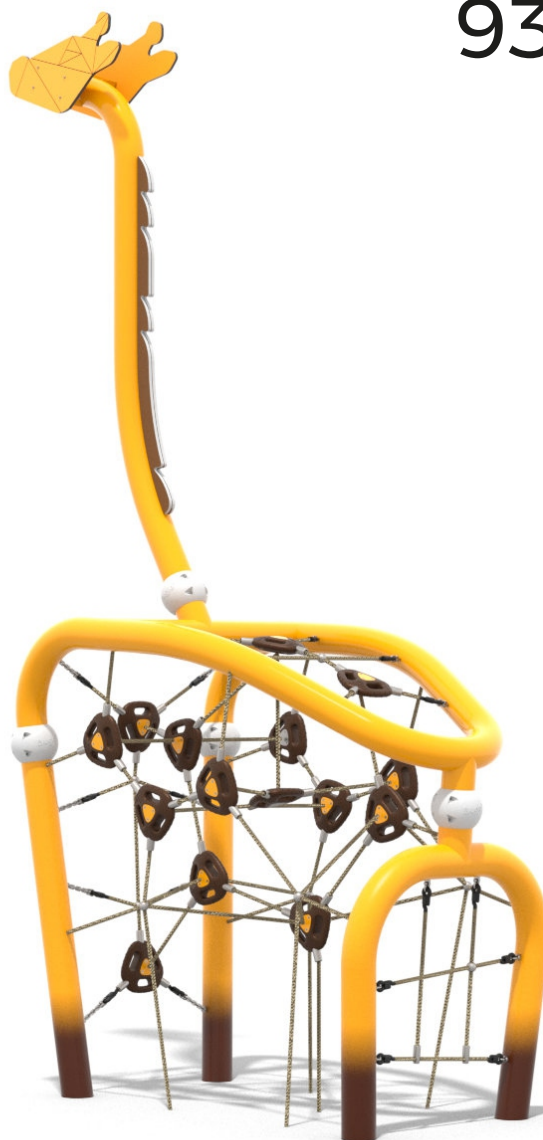
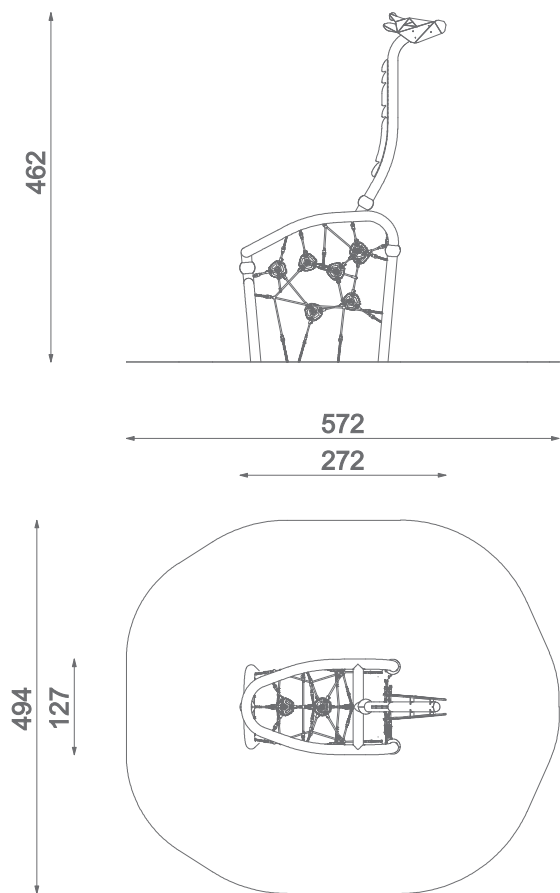
A painting technique that allows combining two colors, which smoothly blend into each other. It enables achieving a natural colour fusion effect.



SHAPE
WAVE MASTER

A pipe-bending technique that allows for the maintenance of a smooth steel surface.

9308



SCALE 1:100

Materials



Steel construction:
Ø133 pipes, powder
galvanized and covered
in powder coating paint



Polypropylene ropes pp -
multisplit type with a steel
core and a diameter of 16
mm



Elements: HDPE 15 mm



Modules manufactured of
rotomoulded polyethylene

