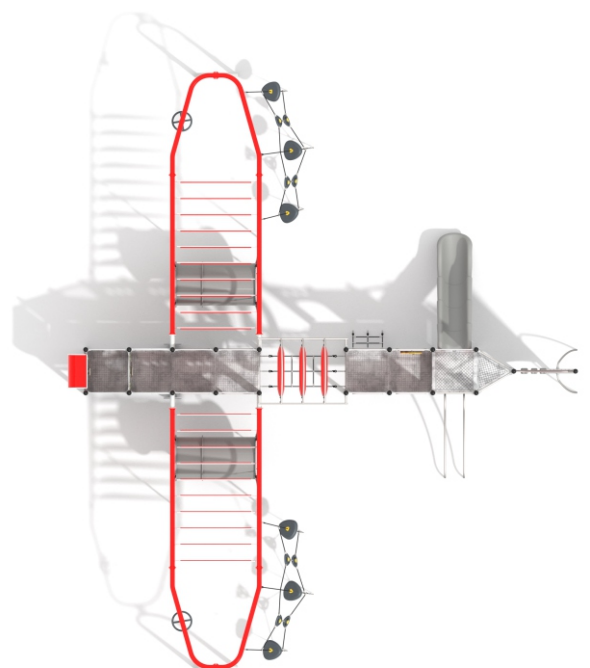
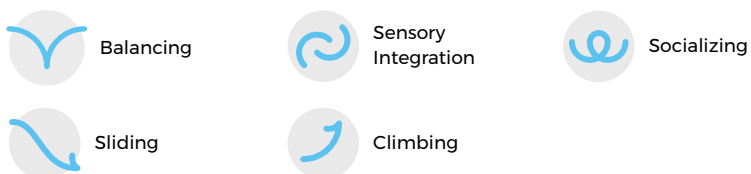


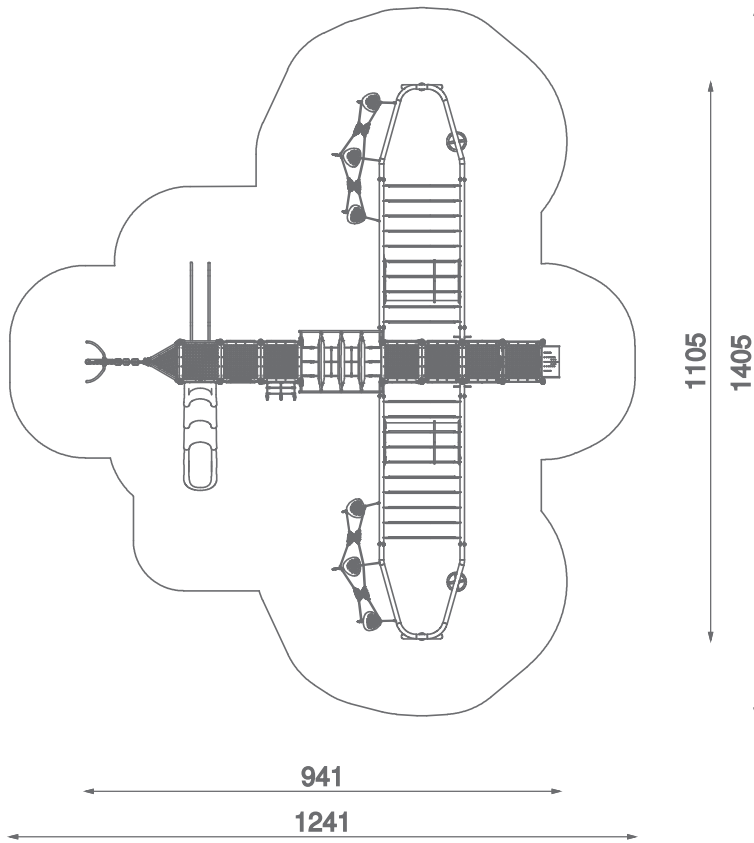
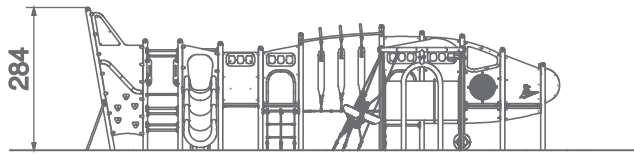
## Information about the product

Dimensions	941 x 1105 cm
Safety zone	1241 x 1405 cm
Safety zone area	110 m <sup>2</sup>
Overall height	284 cm
Free fall height	120 cm
Amount of users	26
Product complies with EN 1176-1:2017-12	YES
Availability of spare parts	YES
Age range	3-12

According to EN 1176-1:2017-12 norm, the product requires applying a safety surface according to the product's free fall height.

## Functions





SCALE 1:150

## Materials



Solid construction made of black steel S235JR. Galvanized and powder coated with polyester paint QUALICOAT attested.



Walls and elements: HDPE 15 mm



Slides are made using rotomoulding technique and LDPE material.



Polypropylene ropes ppmultisplit type with a steel core and a diameter of 16 mm.



Platforms and climbing walls - HPL 13 mm