



### Information about the product

Dimensions	ca. 77 x 42 cm
Safety zone	ca. 337 x 242 cm
Safety zone area	ca. 7,3 m <sup>2</sup>
Overall height	ca. 63 cm
Free fall height	ca. 52 cm
Amount of users	1
Tallest element	77 cm
Heaviest element	23 kg
Product complies with EN 1176-1:2017-12	Tak
Availability of spare parts	Tak
Age range	3-12

According to EN 1176-1:2017-12 norm, the product requires applying a safety surface according to the product's free fall height.

### Functions



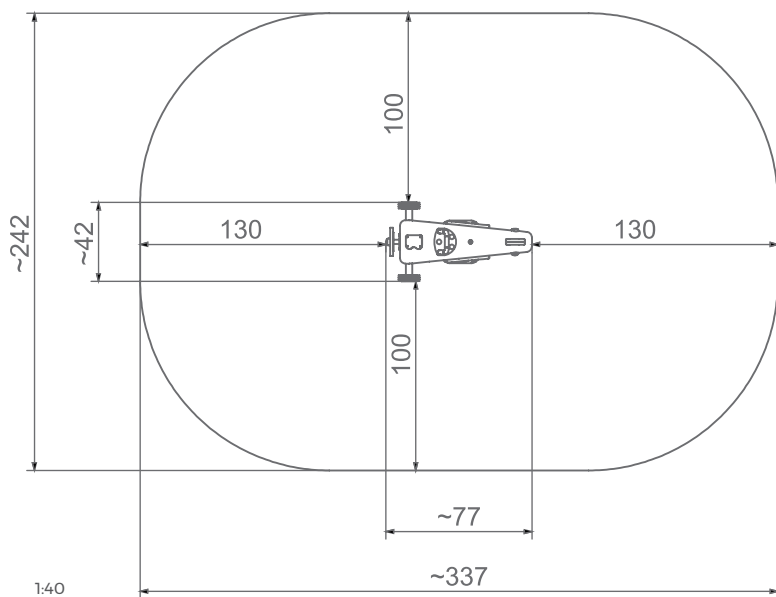
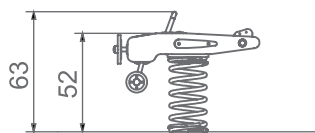
Rocking



Balancing



Socializing



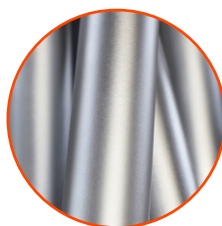
## Materials



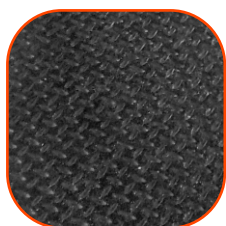
Natural robinia wood



Springers' springs made of spring steel



Elements made of stainless steel AISI304 totally resistant to various weather conditions.



Anti-slip 15 mm platform plate



Plates of the walls made of colourful triple layered 15 mm HDPE polyethylene