

RECYCLED



Information about the product

Dimensions	374 x 828 cm
Safety zone	793 x 1197 cm
Safety zone area	65 m ²
Overall height	581 cm
Free fall height	240 cm
Amount of users	13
Product complies with EN 1176-1:2017-12	Yes
Availability of spare parts	Yes
Age range	3-12

According to EN 1176-1:2017-12 norm, the product requires applying a safety surface according to the product's free fall height.

Functions



Climbing



Balancing

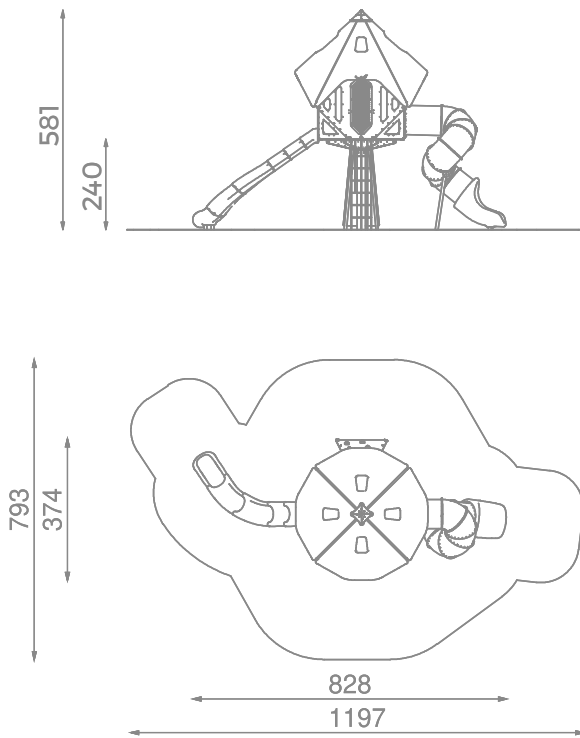


Socializing



Sliding

RECYCLED



SCALA 1:200



Multilayer sheets manufactured from reclaimed and recycled marine waste, such as fishing nets, ropes, and trawls. UV resistant.



Slides and roofs made using the rotomoulding method with the utilization of biopolymers derived from sugarcane.



Solid construction: made of recycled steel IS235JR, powder galvanized and covered in powder coating paint.



Plates of the walls made of colourful 13 mm hpl.