

PRODUCT CODE:
40040A

BENCH

BENCHES



DEVICE DATA

PROJECTION AND VIEW OF THE DEVICE

The device is difficult to access

Compliance with the PN-EN standard: 1176-1:2024-03

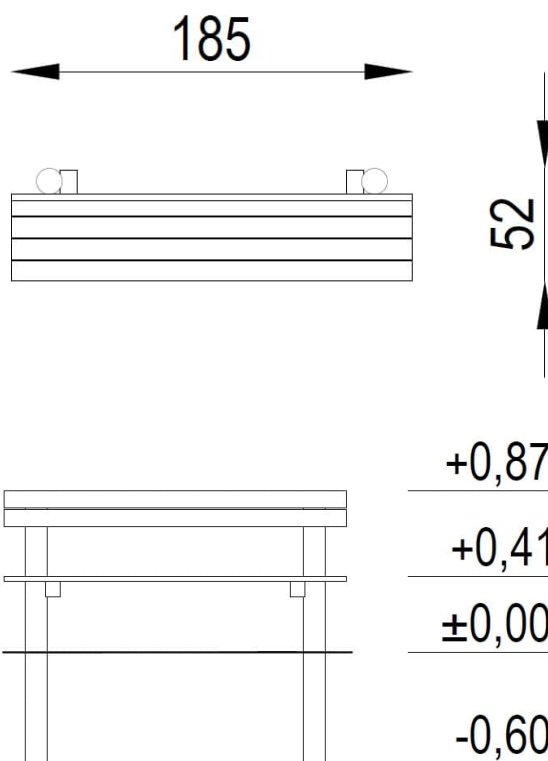
Number of users : 4

Age group : not applicable

Width : 1.85 m

Length : 0.52 m

Foundation depth : -0.40 m



COMPONENTS

Supporting structure: 1 set

Seat: 1 set

TECHNOLOGY

Structure, seat: acacia wood, debarked with the pulp removed and sandblasted

Foundations: concrete class at least C12/15

Due to continuous improvement of technical solutions, the presented drawings, including colors and dimensions, may differ slightly from the devices currently produced.