

**PRODUCT CODE:**  
42101A

**SANDBOX BOAT - ACACIA WOOD**

**SANDBOXES**



**DEVICE DATA**

**PROJECTION AND VIEW OF THE DEVICE**

The device is difficult to access

Compliance with the PN-EN standard:  
1176-1:2024-03

Number of users : 6

Age group : 1+

Width : 4.00 m

Length : 2.20 m

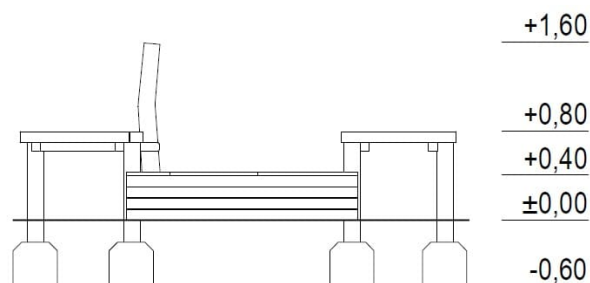
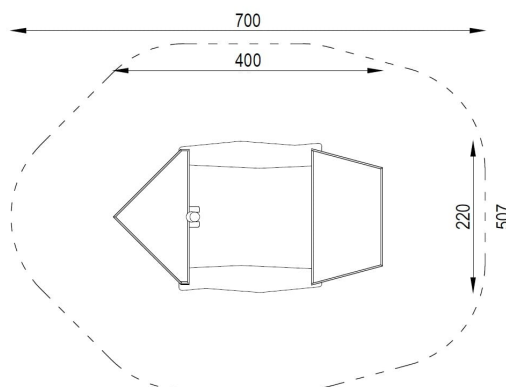
Height : 1.60 m

Minimum space required : 7.00 x 5.07 m

Free fall height : 0.80 m

Fall area : 29.23 m<sup>2</sup>

Foundation depth : -0.60 m



**COMPONENTS**

**Sandbox:** 1 pc.

---

**Sand tables:** 2 pcs.

---

**TECHNOLOGY**

**Construction:** Acacia wood, debarked with the pulp removed and sandblasted

---

**Anchors:** black steel, hot dip galvanized

---

**End caps:** plastic

---

**Foundations:** concrete class at least C12/15

---

Due to continuous improvement of technical solutions, the presented drawings, including colors and dimensions, may differ slightly from the currently manufactured devices.