



### Information about the product

|                             |           |
|-----------------------------|-----------|
| Dimensions                  | 50 x 5 cm |
| Overall height              | 80 cm     |
| Availability of spare parts | Yes       |

### Warranty



**10 years**

The Guaranty covers all flaws of the elements made of HPL, HDPE, stainless steel, hot-dip galvanized steel, wooden elements (pine, spruce), revealed during usage, which arise from manufacturing reasons.



**5 years**

The Guaranty covers all flaws of the elements made of powder coated steel, aluminum, laminate, ropes, elements made in rotomoulding technology, elements made of polyamid, polypropylene elements, revealed during usage, which arise from manufacturing reasons.



**2 years**

The Guaranty covers all flaws of the elements made of rubber, moving elements ( bearings, joints), electronic elements, elements made of EPDM, elements made of plywood and other not mentioned before revealed during usage, which arise from manufacturing reasons.

# 6089

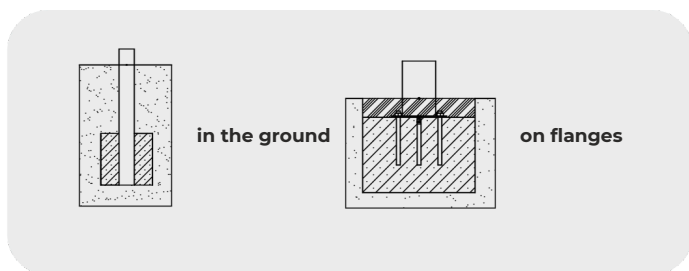
## Product description

---

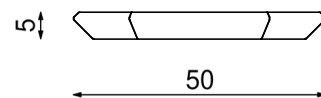
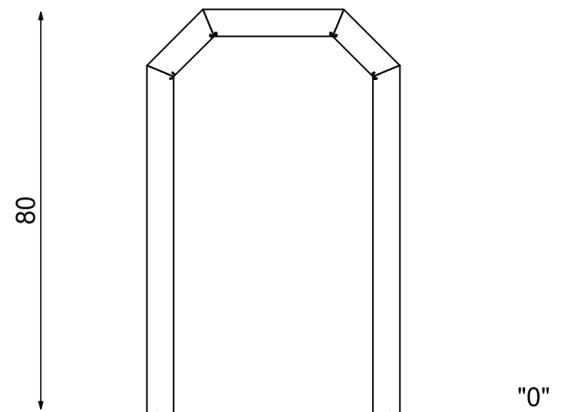
**Construction:** Made of stainless steel profiles measuring 60x20 mm, cleaned through bead blasting.

## Installation method

---



1:15



## Materials

---



Frame made of stainless steel  
AISI304 resistant to various  
weather conditions.