

PRODUCT CODE:  
WPU01-0-OR

WINDPLAY TIPPIE - ORANGE

COTTAGES



DEVICE DATA

PROJECTION AND VIEW OF THE DEVICE

Easily accessible device

Compliance with the PN-EN standard: 1176-1:2024-03

Number of users: 5

Width : 2.40 m

Length : 1.20 m

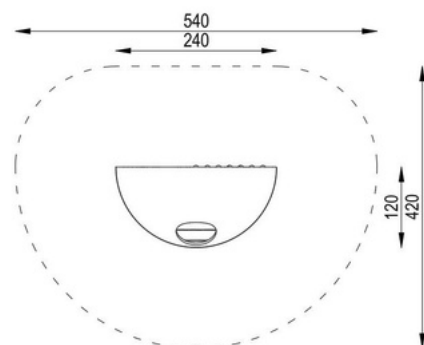
Height : 1.50 m

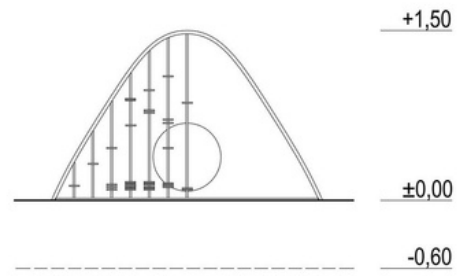
Minimum space required: 5.40 x 4.20 m

Fall area: 18.59 m

Free fall height: 0.10 m

Foundation depth: -0.60 m





---

**COMPONENTS**

Support module: 1 pc.

---

Panel "Discs" 1 pc.

---

**TECHNOLOGY**

Support module: obtained from the propeller blade of windmills – material made of polymer composites, reinforced with glass fiber, embedded in a polymer matrix, painted with polyurethane paint

---

Platform: boards made of recycled plastic, dyed in mass, with a wood-like structure

---

Ropes: polypropylene with steel braiding, connected by polyamide connectors, flame retardant

---

Play panel: maintenance-free composite elements

---

Foundations: C16/20 concrete

---

Due to continuous improvement of technical solutions, the presented drawings, including colors and dimensions, may differ slightly from the currently manufactured devices.

NOLMO Sp. z o. o. reserves all rights to copyright protection under the Act of 04.02.1994 on Copyright and Related Rights (Journal of Laws No. 28 item 83), in particular Articles 78 and 79 of that Act.