

PRODUCT CODE:
WPH03-0-PBL

WINDPLAY SWING 3.0 - DOVE BLUE

UNCATEGORIZED



DEVICE DATA

PROJECTION AND VIEW OF THE DEVICE

Easily accessible device

Compliance with the PN-EN standard: 1176-1:2024-03

Age group : +1

Number of users: 2

Width : 2.80 m

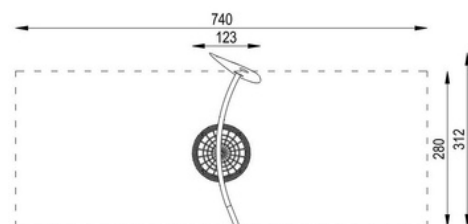
Length : 1.23 m

Height : 3.30 m

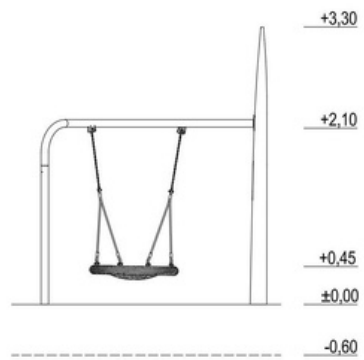
Minimum space required: 7.40 x 3.12 m

Fall area: 20.72 m

Free fall height: 1.25 m



Foundation depth: -0.60 m



COMPONENTS

Support module "wing" 1 pc.

Stork's nest seat : 1 pc.

TECHNOLOGY

The "wing" carrier module: obtained from the propeller blade of windmills - a material made of polymer composites, reinforced with glass fiber, embedded in a polymer matrix, painted with polyurethane paint

Arched structure: steel pipe with a diameter of 88.9 mm, galvanized, powder coated

Chain: 6mm calibrated chain, stainless steel

"Nest" seat: made of polypropylene ropes on a steel support ring

Foundations: C16/20 concrete

Due to continuous improvement of technical solutions, the presented drawings, including colors and dimensions, may differ slightly from the currently manufactured devices.

NOLMO Sp. z o. o. reserves all rights to copyright protection under the Act of 04.02.1994 on Copyright and Related Rights (Journal of Laws No. 28 item 83),

in particular Articles 78 and 79 of that Act.