

PRODUCT CODE:
WPZ02-0-PBL

WINDPLAY 2.0 - DOVE BLUE

UNCATEGORIZED



DEVICE DATA

PROJECTION AND VIEW OF THE DEVICE

Availability: device difficult to access

Compliance with the PN-EN standard: 1176-1:2024-03

Age group : 3+

Number of users: 19

Width : 3.72 m

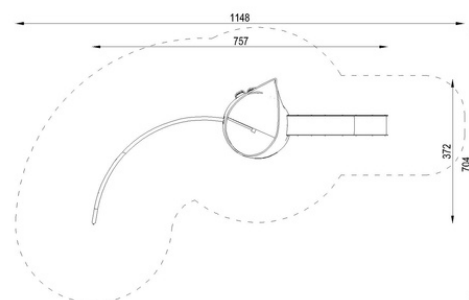
Length : 7.57 m

Height : 3.85 m

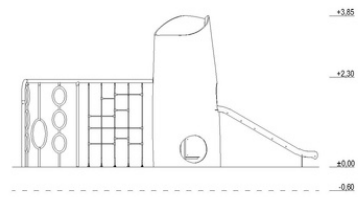
Minimum space required: 11.48 x 7.04 m

Fall area: 47.11 m

Free fall height: 2.20 m



Foundation depth: -0.60 m



COMPONENTS

Tower type "C" 1 pc.

Platform, height 0.30 m 1 pc.

Platform height 0.90 m 1 pc.

Platform height 1.50 m 1 pc.

Platform height 2.10 m 1 pc.

Slide, height 1.50 m, 1 pc.

Large vertical rope net 1 pc.

Climbing wheels : 1 pc.

TECHNOLOGY

"Windplay" tower: obtained from windmill propeller blades - a material made of polymer composites, reinforced with glass fiber, embedded in a polymer matrix, painted with polyurethane paint

Platforms: HPL board, 10mm thick, anti-slip with a "hexa" layer, based on a steel structure, hot-dip galvanized and powder-coated

Slide: stainless steel slide

Arched structure: steel pipe with a diameter of 88.9 mm, galvanized, powder coated

Climbing wheels: steel tubes with a diameter of 42.4 mm, galvanized, powder coated

Ropes: polypropylene with steel braiding, connected by polyamide connectors, flame retardant

Play panel: maintenance-free composite elements

Foundations: C16/20 concrete

Due to continuous improvement of technical solutions, the presented drawings, including colors and dimensions, may differ slightly from the currently manufactured devices.

NOLMO Sp. z o. o. reserves all rights to copyright protection under the Act of 04.02.1994 on Copyright and Related Rights (Journal of Laws No. 28 item 83), in particular Articles 78 and 79 of that Act.