

8025

RECYKLING



Information about the product

Dimensions	274 x 431 cm
Safety zone	584 x 781 cm
Safety zone area	32 m ²
Overall height	321 cm
Free fall height	160 cm
Amount of users	12
Product complies with EN 1176-1:2017-12	Yes
Availability of spare parts	Yes
Age range	3-12

According to EN 1176-1:2017-12 norm, the product requires applying a safety surface according to the product's free fall height.



Functions



Socializing



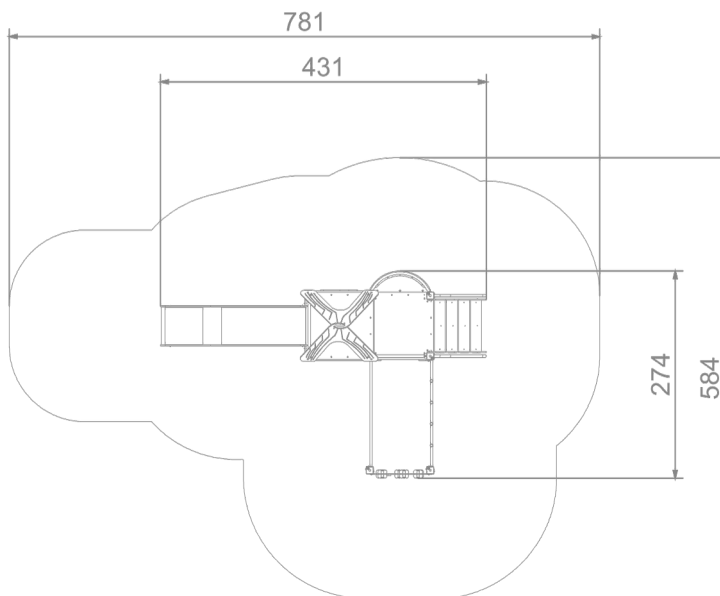
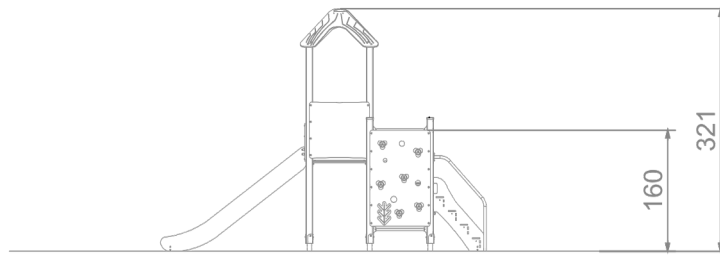
Climbing



Sliding

8025

RECYCLED



SCALE 1:100

Materials



Soft conifer wood
90 x 90 mm, coreless,
Glued in layers with
Polyurethane glues,
Totally resistant to
water



Wooden posts anchored to
the ground with powder
galvanized and powder
coated steel anchors



Slides made of stainless
steel AISI 304. metal sheet
with a thickness of 2 mm
formed in a cnc technique



Anti-slip anthracite 10mm
hpl platform plate with a
very high resistance to
weather conditions and
attrition



Multilayer sheets manu -
factured from reclaimed
and recycled marine waste,
such as fishing nets, ropes,
and trawls. UV resistant.



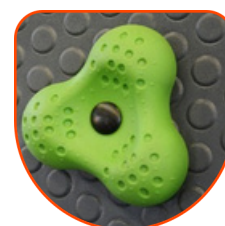
Solid and esthetic rope
connectors made of
injection molded polyamide.



Polypropylene ropes pp -
multisplit type with a steel
core and a diameter of 16 mm



System of connectors
and clamps made of
strong aluminium alloy



Climbing rocks made of
chippings and colourful
polyester resin