

# 8005

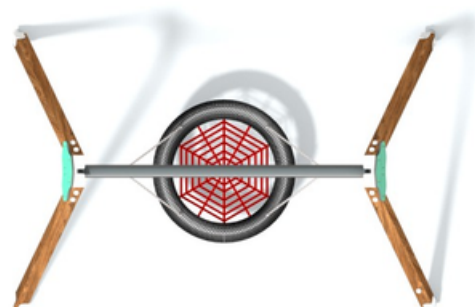
## RECYKLING



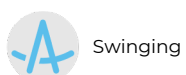
### Information about the product

Dimensions	197 x 296 cm
Safety zone	750 x 235 cm
Safety zone area	18 m <sup>2</sup>
Overall height	251 cm
Free fall height	133 cm
Amount of users	4
Product complies with EN 1176-1:2017-12	Yes
Availability of spare parts	Yes
Age range	3-12

According to EN 1176-1:2017-12 norm, the product requires applying a safety surface according to the product's free fall height.



### Functions



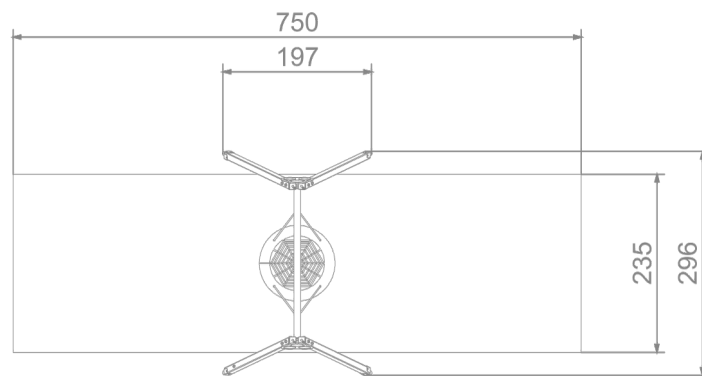
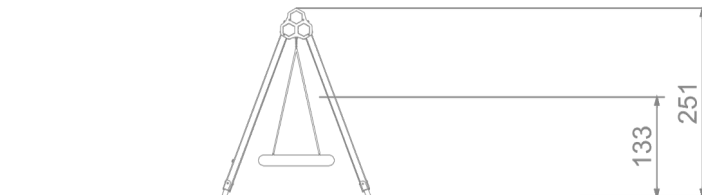
Swinging



Socializing

# 8005

## RECYCLED



SCALE 1:100

### Materials



Solid construction elements made of black steel cleaned in the sandblasting process.



Soft conifer wood 90 x 90 mm, coreless, Glued in layers with Polyurethane glues, Totally resistant to water



Wooden posts anchored to the ground with powder galvanized and powder coated steel anchors



"bird nest" type seat with a diameter of 100 cm, hanged on 6 mm stainless steel chains



Multilayer sheets manu – factured from reclaimed and recycled marine waste, such as fishing nets, ropes, and trawls. UV resistant.



Swings, slings with double bearings made of stainless steel