



ROBINIA PLAY

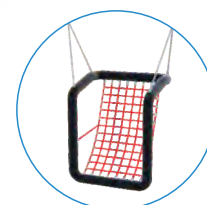
8102



SWINGING



SOCIALIZING



INFORMATION ABOUT THE PRODUCT

Dimensions	ca. 238 x 321 cm
Safety zone	ca.750 x 235 cm
Overall height	ca.248 cm
Free fall height	ca.137 cm
Amount of users	2 osoby
Product complies with EN 1176-1:2017-12	TAK
Availability of spare parts	TAK
Age range	3-12
<small>According to EN 1176-1:2017-12 norm, the product requires applying a safety surface according to the product's free fall height.</small>	

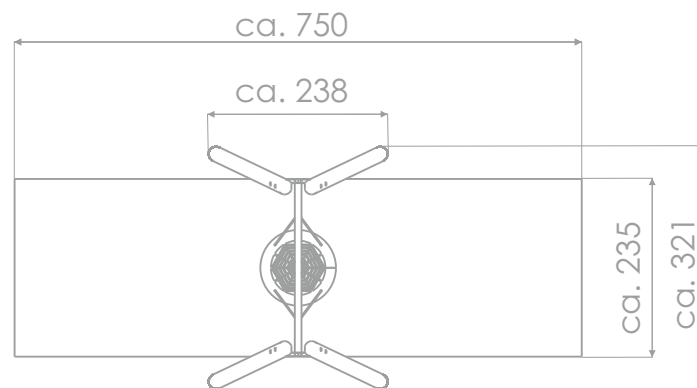
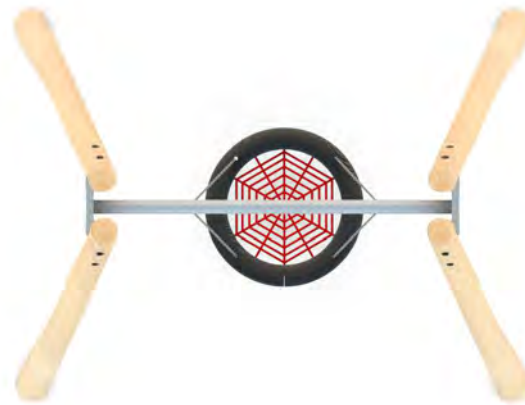
Visualisation is for reference only,
actual appearance may vary.



ROBINIA PLAY

INFORMATION FOR ARCHITECTS

8102



SCALE 1:100

MATERIALS:

„BIRD NEST“ TYPE SEAT WITH A DIAMETER OF 100 CM, HANGED ON 6 MM STAINLESS STEEL CHAINS



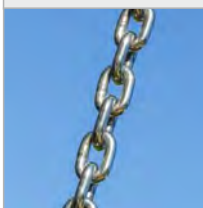
SWINGS, SLINGS WITH DOUBLE BEARINGS MADE OF STAINLESS STEEL



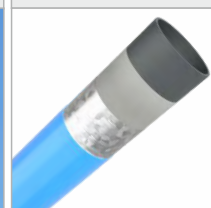
NATURAL ROBINIA WOOD



ATTESTED 6 MM STAINLESS STEEL CHAINS



SOLID CONSTRUCTION MADE OF BLACKSTEEL S235JR, CLEANED IN THE SANDBLASTING PROCESS



OPTIONAL:

APPROVED SEAT – SEAT TYPE – HANGED ON R 6 MM CHAINS MADE OF STAINLESS STEEL. METAL FRAME COVERED BY SOFT POLYPROPYLENE ROPE



APPROVED SEAT MADE WITH ROTOMOULDED METHOD, DEDICATED FOR DISABLED USERS

