

8103

ROBINIA PLAY



SWINGING



SOCIALIZING



INFORMATION ABOUT THE PRODUCT

Dimensions	ca.238 x 389 cm
Safety zone	ca.750 x 317 cm
Safety zone area	ca.24 m ²
Overall height	ca.248 cm
Free fall height	ca.134 cm
Amount of users	2 persons
Product complies with EN 1176-1:2017-12	YES
Availability of spare parts	YES
Age range	1-12

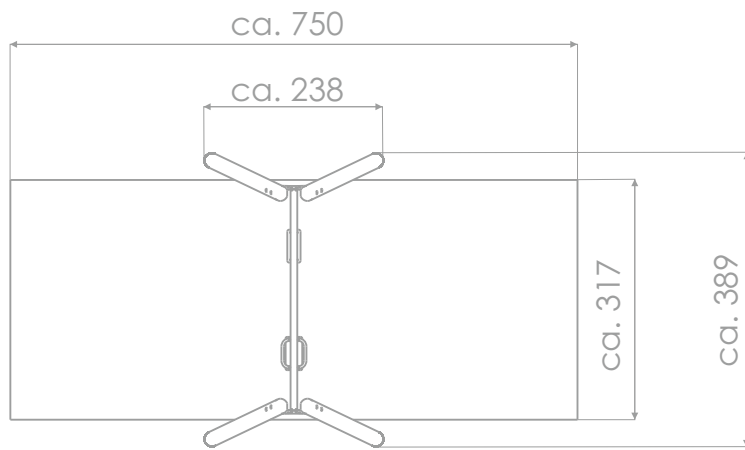
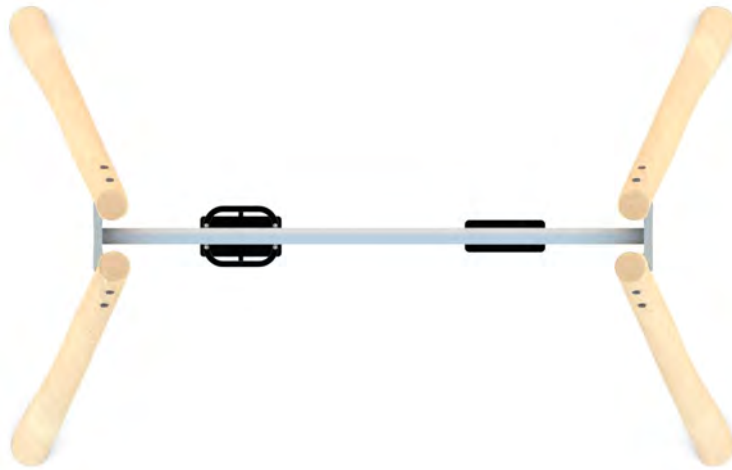
According to EN 1176-1:2017-12 norm, the product requires applying a safety surface according to the product's free fall height.

Visualisation is for reference only,
actual appearance may vary.



8103

ROBINIA PLAY



SCALE 1:100

MATERIALS:

THE SEATS ARE MADE WITH AN ALUMINUM CONSTRUCTION COVERED WITH A SOFT EPDM RUBBER



SAFETY SEAT MADE OF ALUMINUM AND STAINLESS STEEL COVERED WITH SOFT POLYURETHANE



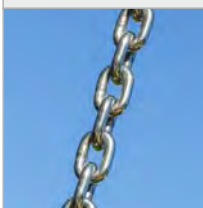
SWINGS, SLINGS WITH DOUBLE BEARINGS MADE OF STAINLESS STEEL



NATURAL ROBINIA WOOD



ATTESTED 6 MM STAINLESS STEEL CHAINS



SOLID CONSTRUCTION MADE OF BLACKSTEEL S235JR, CLEANED IN THE SANDBLASTING PROCESS



OPTIONAL:

BACK SUPPORT OF THE SEAT WITH STEEL CONSTRUCTION COVERED WITH SOFT POLYURETHANE

