

8131

ROBINIA PLAY



SWINGING



SOCIALIZING

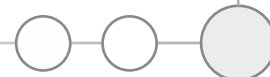


INFORMATION ABOUT THE PRODUCT

Dimensions	ca. 238 x 321 cm
Safety zone	ca. 780 x 235 cm
Overall height	ca. 248 cm
Free fall height	ca. 143 cm
Amount of users	1 person
Product complies with EN 1176-1:2017-12	YES
Availability of spare parts	YES
Age range	1-12
The biggest element	340 cm
The heaviest element	120 kg

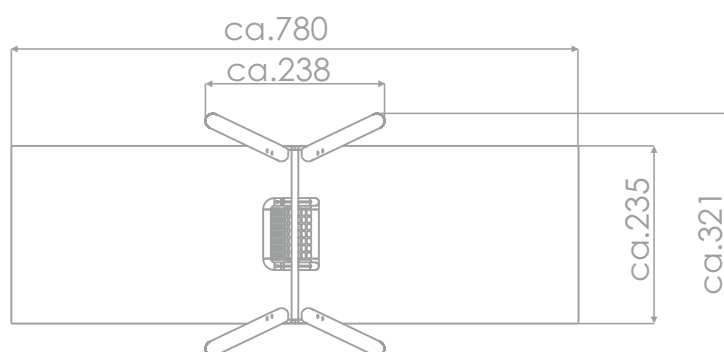
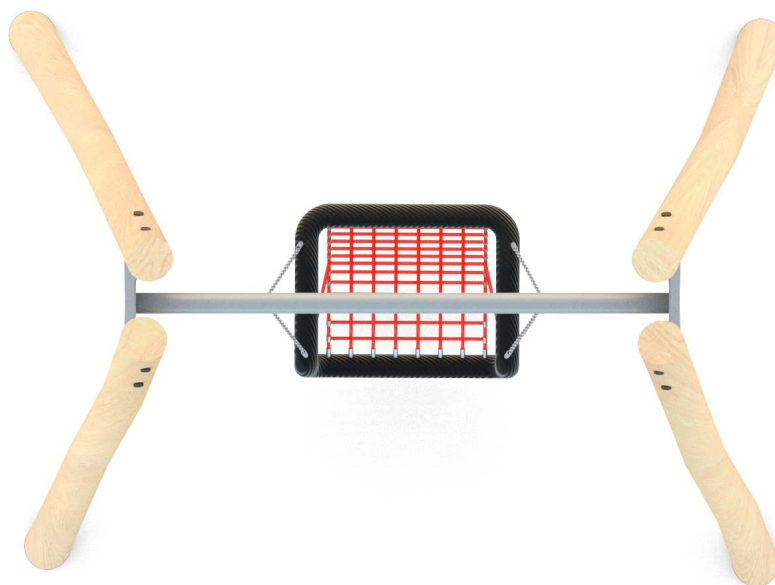
According to EN 1176-1:2017-12 norm, the product requires applying a safety surface according to the product's free fall height.

Visualisation is for reference only,
actual appearance may vary.



8131

ROBINIA PLAY



SCALE 1:100

MATERIALS:

NATURAL ROBINIA WOOD

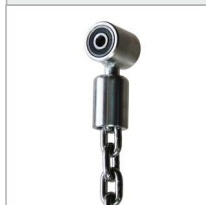
ATTESTED 6 MM STAINLESS STEEL CHAINS



SOLID CONSTRUCTION MADE OF BLACK STEEL S235JR, CLEANED IN THE SANDBLASTING PROCESS

SWINGS, SLINGS WITH DOUBLE BEARINGS MADE OF STAINLESS STEEL

APPROVED SEAT – SEAT TYPE – HANGED ON R 6 MM CHAINS MADE OF STAINLESS STEEL. METAL FRAME COVERED BY SOFT POLYPROPYLENE ROPE



OPTIONAL:

APPROVED SEAT MADE WITH ROTOMOULDING METHOD, DEDICATED FOR DISABLED USERS

„BIRD NEST“ TYPE SEAT WITH A DIAMETER OF 100 CM, HANGED ON 6 MM STAINLESS STEEL CHAINS

