

8132

ROBINIA PLAY



SWINGING



SOCIALIZING



INFORMATION ABOUT THE PRODUCT

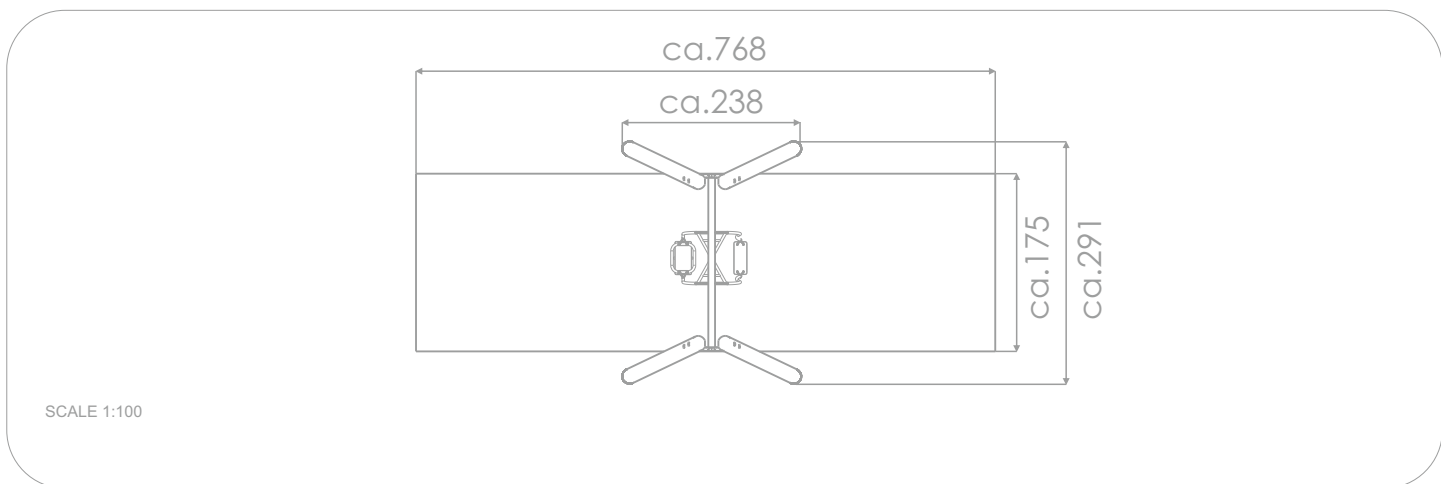
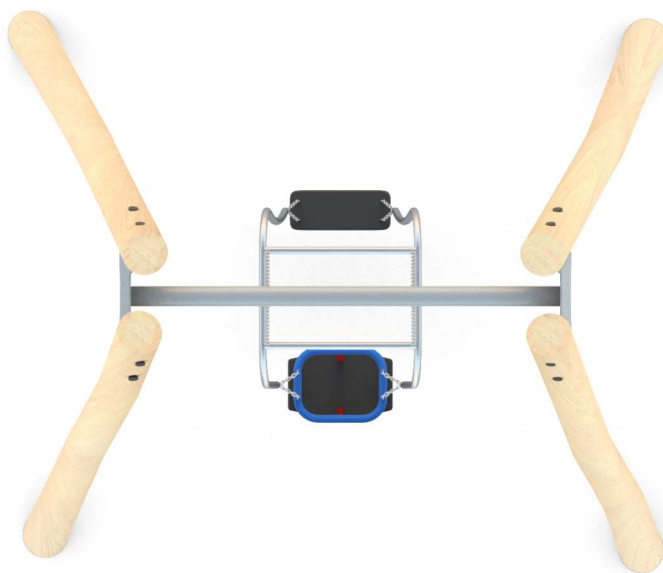
Dimensions	ca. 238 x 291 cm
Safety zone	ca. 768 x 175 cm
Overall height	ca. 248 cm
Free fall height	ca. 173 cm
Amount of users	2 persons
Product complies with EN 1176-1:2017-12	YES
Availability of spare parts	YES
Age range	1+
The biggest element:	340 cm
The heaviest element:	116 kg
According to EN 1176-1:2017-12 norm, the product requires applying a safety surface according to the product's free fall height.	

Visualisation is for reference only,
actual appearance may vary.



8132

ROBINIA PLAY



MATERIALS:

NATURAL ROBINIA WOOD	ATTESTED 6 MM STAINLESS STEEL CHAINS

SOLID CONSTRUCTION MADE OF BLACKSTEEL S235JR, CLEANED IN THE SANDBLASTING PROCESS	SEAT WITH A CONSTRUCTION MADE OF ALUMINIUM AND STAINLESS STEEL, DEDICATED FOR MOTHER AND CHILD	SWINGS, SLINGS WITH DOUBLE BEARINGS MADE OF STAINLESS STEEL

OPTIONAL:

SAFETY SEAT MADE OF ALUMINIUM AND STAINLESS STEEL COVERED WITH SOFT POLYURETHANE	THE SEATS ARE MADE WITH AN ALUMINIUM CONSTRUCTION COVERED WITH A SOFT EPDM RUBBER

BACK SUPPORT OF THE SEAT WITH STEEL CONSTRUCTION COVERED WITH SOFT POLYURETHANE