



ROBINIA PLAY

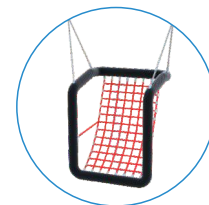
8133



SWINGING



SOCIALIZING



INFORMATION ABOUT THE PRODUCT

Dimensions	ca. 238 x 667 cm
Safety zone	ca. 750 x 588 cm
Overall height	ca. 248 cm
Free fall height	ca. 137 cm
Amount of users	6 persons
Product complies with EN 1176-1:2017-12	YES
Availability of spare parts	YES
Age range	1- 12
The biggest element:	340 cm
The heaviest element:	116 kg
According to EN 1176-1:2017-12 norm, the product requires applying a safety surface according to the product's free fall height.	

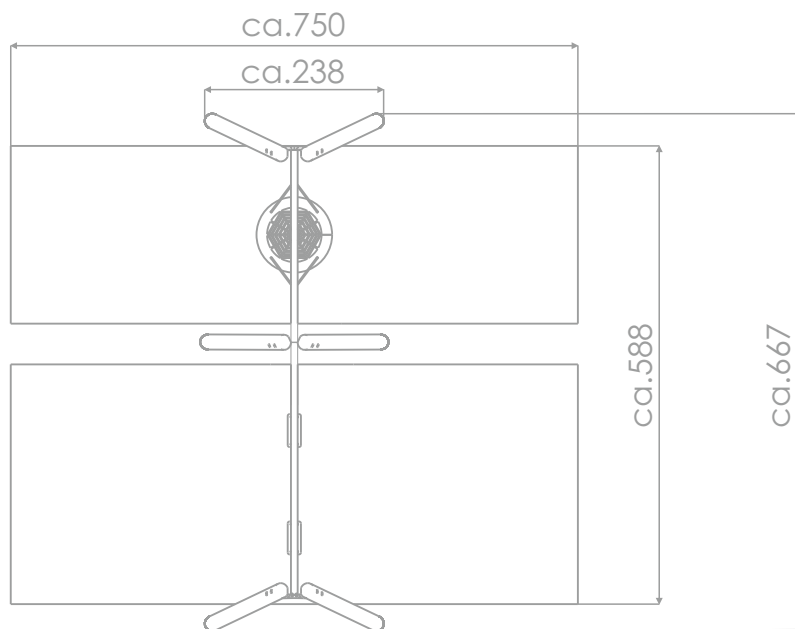
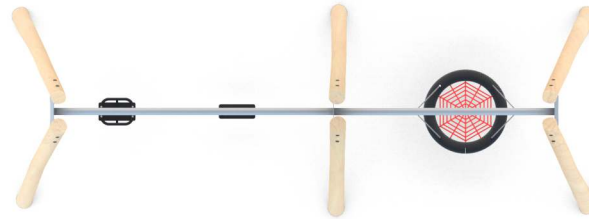
Visualisation is for reference only,
actual appearance may vary.



ROBINIA PLAY

INFORMATION FOR ARCHITECTS

8133



SCALE 1:100

MATERIALS:

<p>„BIRD NEST“ TYPE SEAT WITH A DIAMETER OF 100 CM, HANGED ON 6 MM STAINLESS STEEL CHAINS</p>	<p>SAFETY SEAT MADE OF ALUMINIUM AND STAINLESS STEEL COVERED WITH SOFT POLYURETHANE</p>	<p>THE SEATS ARE MADE WITH AN ALUMINIUM CONSTRUCTION COVERED WITH A SOFT EPDM RUBBER</p>
<p>NATURAL ROBINIA WOOD</p>	<p>ATTESTED 6 MM STAINLESS STEEL CHAINS</p>	<p>SOLID CONSTRUCTION MADE OF BLACKSTEEL S235JR, CLEANED IN THE SANDBLASTING PROCESS</p>

OPTIONAL:

<p>BACK SUPPORT OF THE SEAT WITH STEEL CONSTRUCTION COVERED WITH SOFT POLYURETHANE</p>	<p>SEAT WITH A CONSTRUCTION MADE OF ALUMINIUM AND STAINLESS STEEL, DEDICATED FOR MOTHER AND CHILD</p>
<p>APPROVED SEAT – SEAT TYPE – HANGED ON R 6 MM CHAINS MADE OF STAINLESS STEEL METAL FRAME COVERED BY SOFT POLYPROPYLENE ROPE</p>	<p>APPROVED SEAT MADE WITH ROTOMOULDED METHOD, DEDICATED FOR DISABLED USERS</p>