

8159

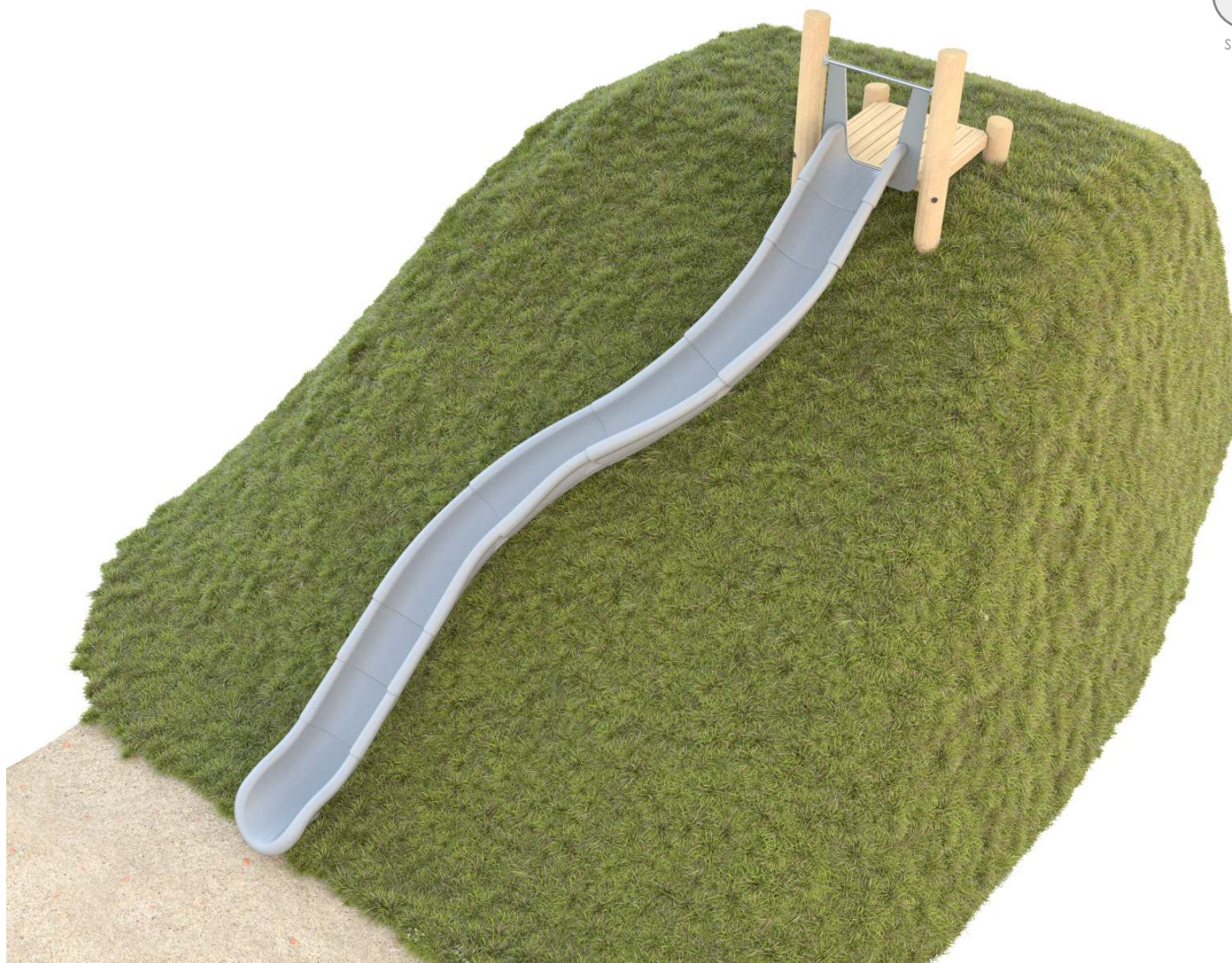
ROBINIA PLAY



SOCIALIZING



SLIDING



INFORMATION ABOUT THE PRODUCT

Dimensions	ca.640 x 247 cm *
Safety zone	ca.1005 x 548 cm *
Overall height	ca.480 cm *
Free fall height	ca. 30 cm *
Amount of users	2 persons
Available slide heights	120, 150, 180, 210, 240, 270, 300, 330, 360, 390 cm
Product complies with EN 1176-1:2017-12	YES
Availability of spare parts	YES
Age range	3-12
The biggest element:	190 cm
The heaviest element:	63 kg
<small>According to EN 1176-1:2017-12 norm, the product requires applying a safety surface according to the product's free fall height.</small>	

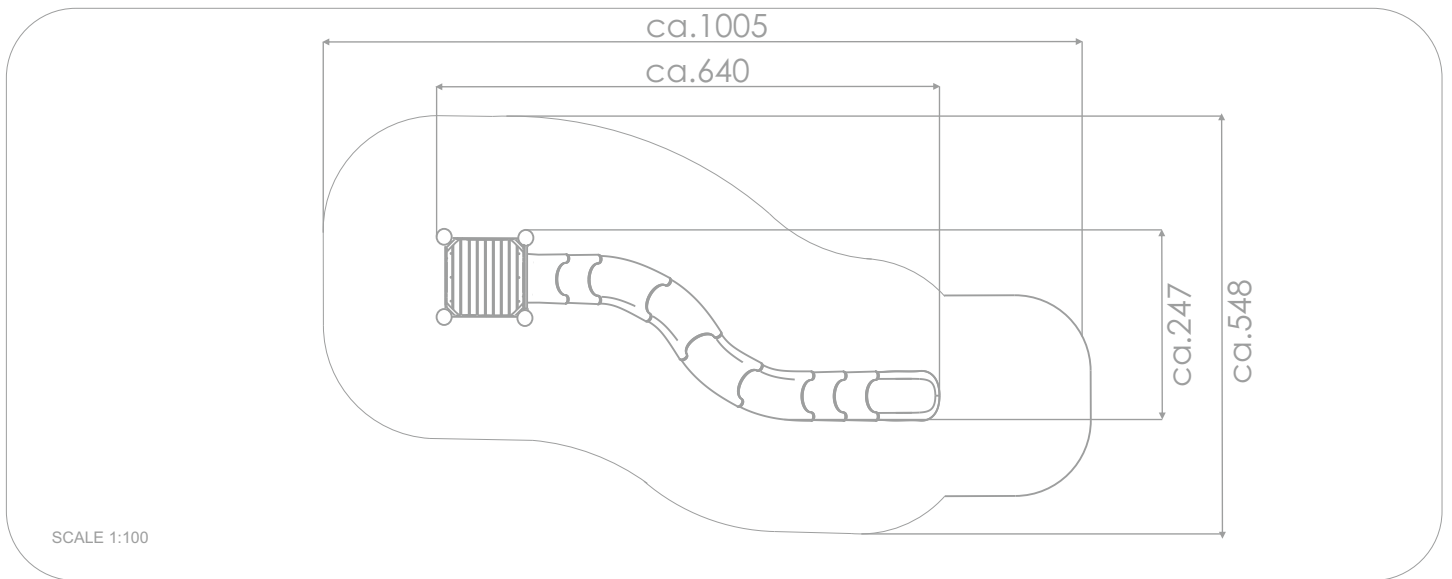
* dimensions refer to 390 cm high

Visualisation is for reference only,
actual appearance may vary.



8159

ROBINIA PLAY



MATERIALS:

NATURAL ROBINIA WOOD	SYSTEM OF CONNECTORS AND CLAMPS MADE OF STRONG ALUMINIUM ALLOY.	MODULAR POLYETHYLENE SLIDES MADE OF ROTOMOULDED LDPE TYPE MATERIAL	PLATES OF THE WALLS MADE OF GREY TRIPLE LAYERED 15 MM HDPE POLYETHYLENE
