

8171

ROBINIA PLAY



SOCIALIZING



SENSORY INTEGRATION



SLIDING

INFORMATION ABOUT THE PRODUCT

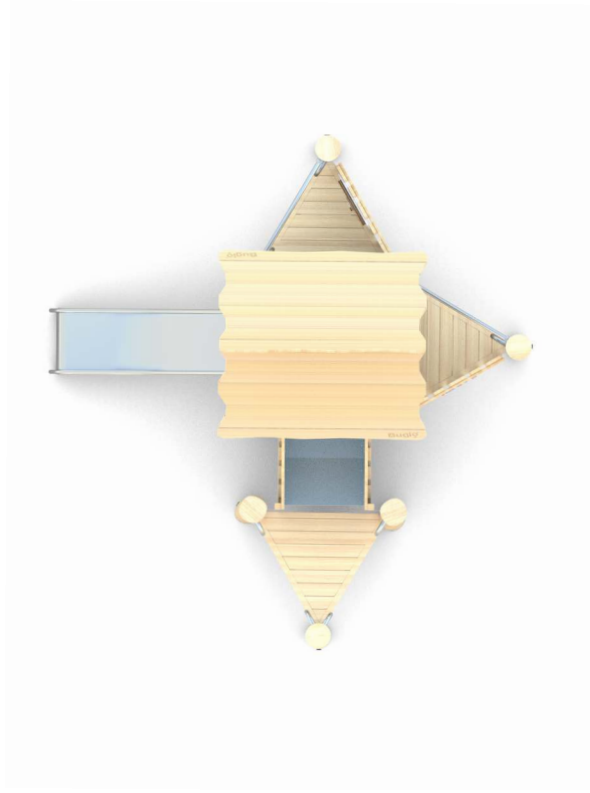
Dimensions	ca.367x 380 cm
Safety zone	ca.717 x 680 cm
Overall height	ca.370 cm
Free fall height	ca.90 cm
Amount of users	9 persons
Product complies with PN-EN 1176-1:2017-12	YES
Availability of spare parts	YES
Age range	1-8
The biggest element:	357 cm
The heaviest element:	116 kg
According to EN 1176-1:2017-12 norm, the product requires applying a safety surface according to the product's free fall height.	

Visualisation is for reference only,
actual appearance may vary.

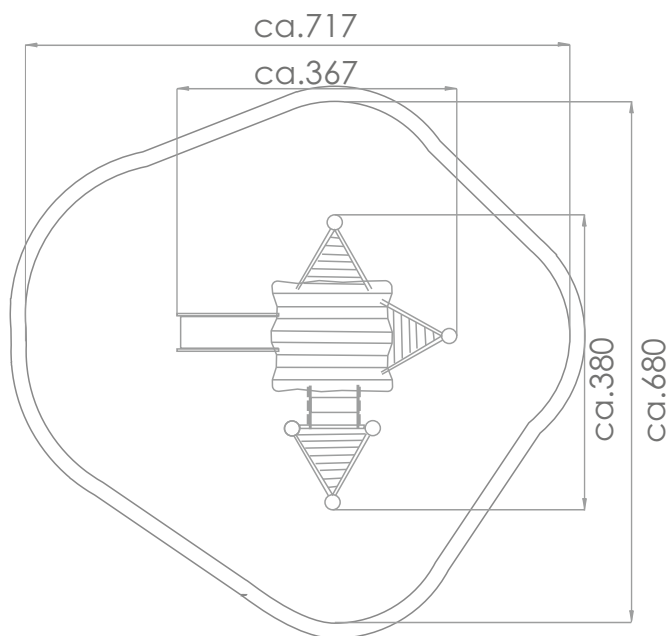
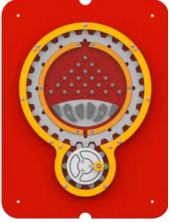


8171

ROBINIA PLAY



INTERAKTYWNE PANELE:



SCALE 1:100

MATERIALS:

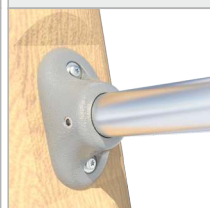
NATURAL ROBINIA WOOD



ELEMENTS
CONSTRUCTION
MADE OF STAINLESS STEEL
AISI 304



SYSTEM OF CONNECTORS
AND CLAMPS MADE OF
STRONG ALUMINIUM
ALLOY.



SLIDES MADE
OF STAINLESS STEEL
AISI 304



PLATES OF THE WALLS
MADE OF GREY
TRIPLE LAYERED 15 MM
HDPE POLYETHYLENE

