

8173

ROBINIA PLAY



SOCIALIZING



SENSORY INTEGRATION



SLIDING



CLIMBING

INFORMATION ABOUT THE PRODUCT

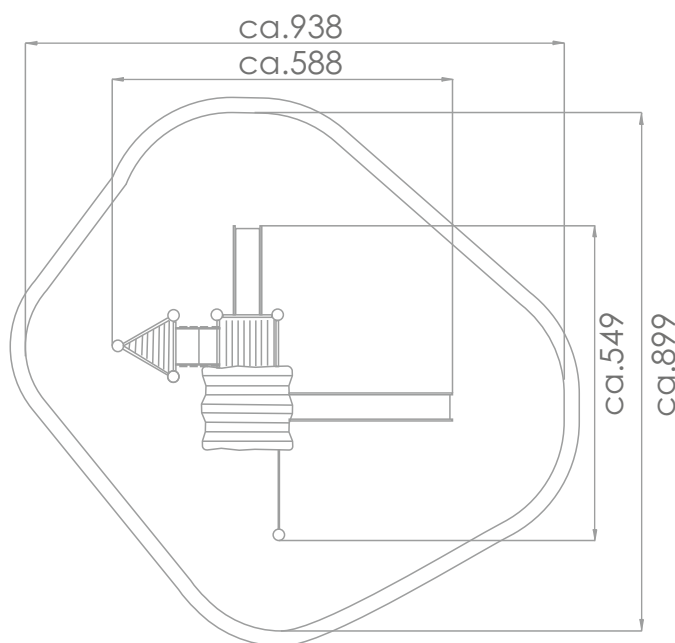
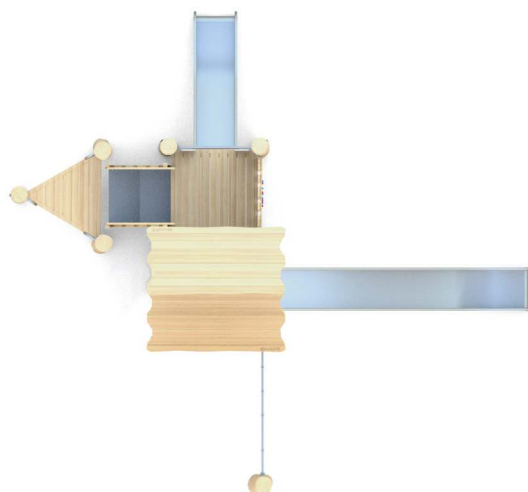
Dimensions	ca.549 x 588 cm
Safety zone	ca.899 x 938 cm
Overall height	ca.490cm
Free fall height	ca.210 cm
Amount of users	14 persons
Product complies with PN-EN 1176-1:2017-12	YES
Availability of spare parts	YES
Age range	3-12
The biggest element:	477 cm
The heaviest element:	147 kg
According to EN 1176-1:2017-12 norm, the product requires applying a safety surface according to the product's free fall height.	

Visualisation is for reference only,
actual appearance may vary.







8173

ROBINIA PLAY



SCALE 1:125

MATERIALS:

<p>NATURAL ROBINIA WOOD</p>	<p>ELEMENTS CONSTRUCTION MADE OF STAINLESS STEEL AISI 304</p>	<p>SLIDES MADE OF STAINLESS STEEL AISI 304</p>	<p>PLATES OF THE WALLS MADE OF GREY TRIPLE LAYERED 15 MM HDPE POLYETHYLENE</p>
			
<p>CLIMBING ROCKS MADE OF CHIPPINGS AND COLOURFUL POLYESTER RESIN</p>	<p>POLYPROPYLENE ROPES PP - MULTISPLIT TYPE WITH A STEEL CORE AND A DIAMETER OF 16 MM</p>	<p>ROPE ENDINGS PRESSED IN A SLEEVE MADE OF DURABLE ALUMINUM ALLOY</p>	<p>SOLID AND ESTHETIC ROPE CONNECTORS MADE OF INJECTION MOLDED POLYAMIDE</p>
