

6080

URBANIQ



SOCIALIZING

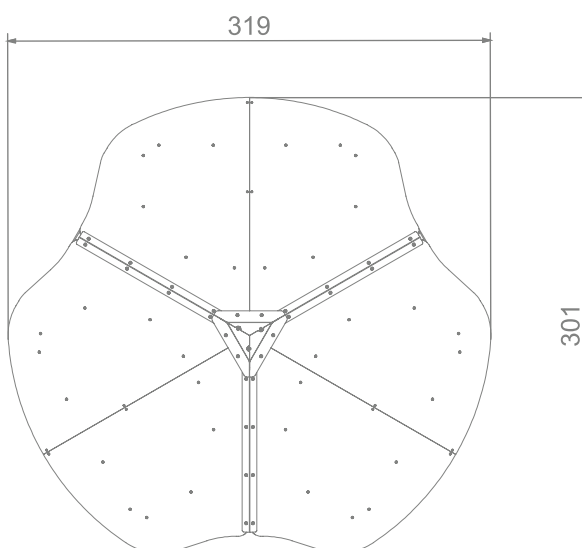
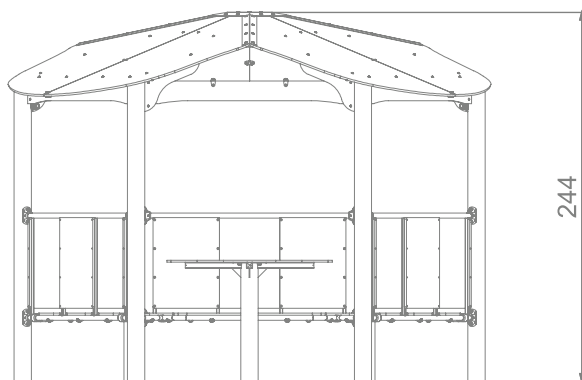


#### INFORMATION ABOUT THE PRODUCT

Dimensions	301 x 319 cm
Overall height	244 cm
Availability of spare parts	YES



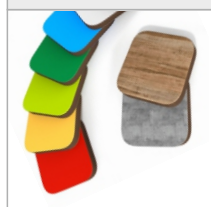
6080



SCALE 1:50

MATERIALS:

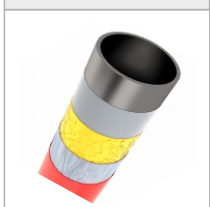
PLATES OF THE WALLS AND PLATFORMS MADE OF COLOURFUL 13 MM HPL



PLATES OF THE WALLS MADE OF COLOURFUL TRIPLE LAYERED 15 MM HDPE POLYETHYLENE, IN THE HIGHEST QUALITY



SOLID CONSTRUCTION MADE OF BLACKSTEEL S235JR, CLEANED IN THE SANDBLASTING PROCESS



CONNECTING ELEMENTS LIKE SCREWS, NUTS, WASHERS MADE OF STAINLESS STEEL

