

6082

URBANIQ



SOCIALIZING

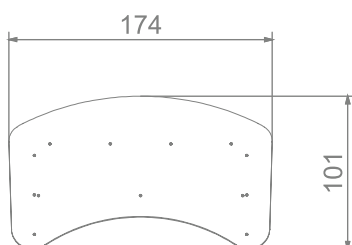
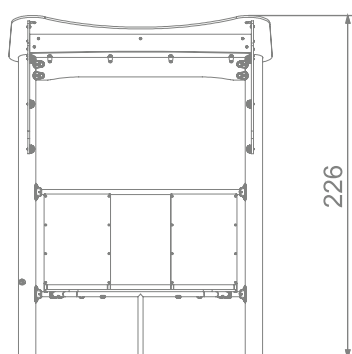


INFORMATION ABOUT THE PRODUCT

Dimensions	174 x 101 cm
Overall height	226 cm
Availability of spare parts	YES



6082



SCALE 1:50

MATERIALS:

<p>PLATES OF THE WALLS AND PLATFORMS MADE OF COLOURFUL 13 MM HPL</p>	<p>PLATES OF THE WALLS MADE OF COLOURFUL TRIPLE LAYERED 15 MM HDPE POLYETHYLENE, IN THE HIGHEST QUALITY</p>	<p>SOLID CONSTRUCTION MADE OF BLACKSTEEL S235JR. CLEANED IN THE SANDBLASTING PROCESS</p>	<p>CONNECTING ELEMENTS LIKE SCREWS, NUTS, WASHERS MADE OF STAINLESS STEEL</p>
			

