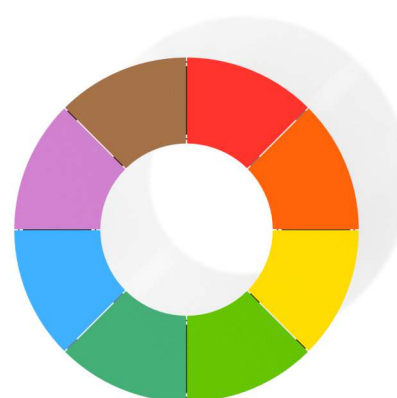


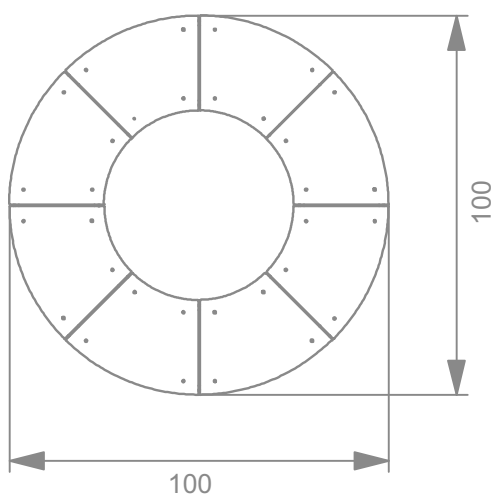
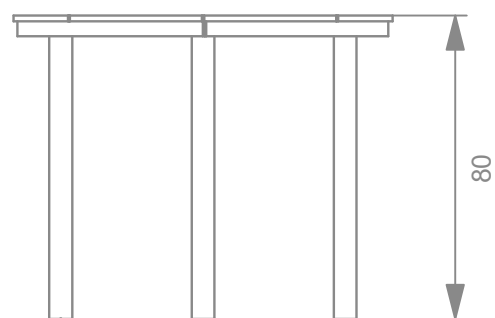
6035



INFORMATION ABOUT THE PRODUCT

Dimensions	100 x 100 cm
Overall height	80 cm
Availability of spare parts	YES

6035



SCALE 1:20

MATERIALS:

SOLID CONSTRUCTION
MADE OF BLACKSTEEL
S235JR, CLEANED IN THE
SANDBLASTING PROCESS

PLATES OF THE SEAT
MADE OF COLOURFUL
TRIPLE LAYERED 15 MM
HDPE POLYETHYLENE,
IN THE HIGHEST QUALITY

