

# 1421

## MEGA



SLIDING



SOCIALIZING



CLIMBING



JUMPING

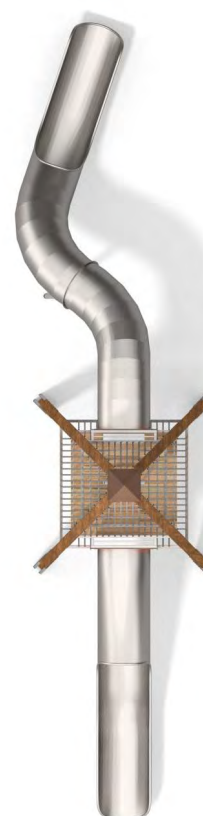


BALANCING

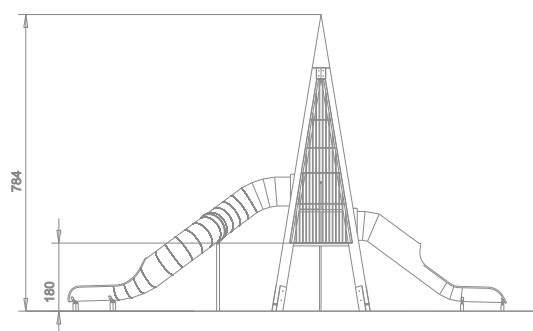
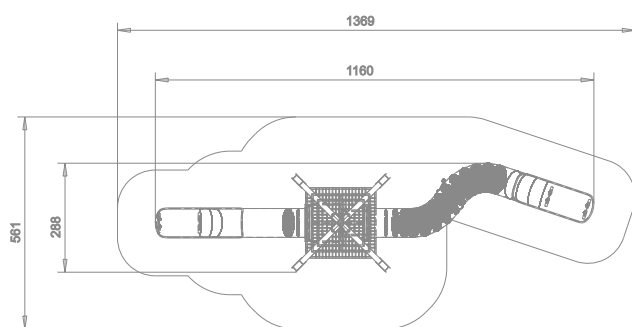
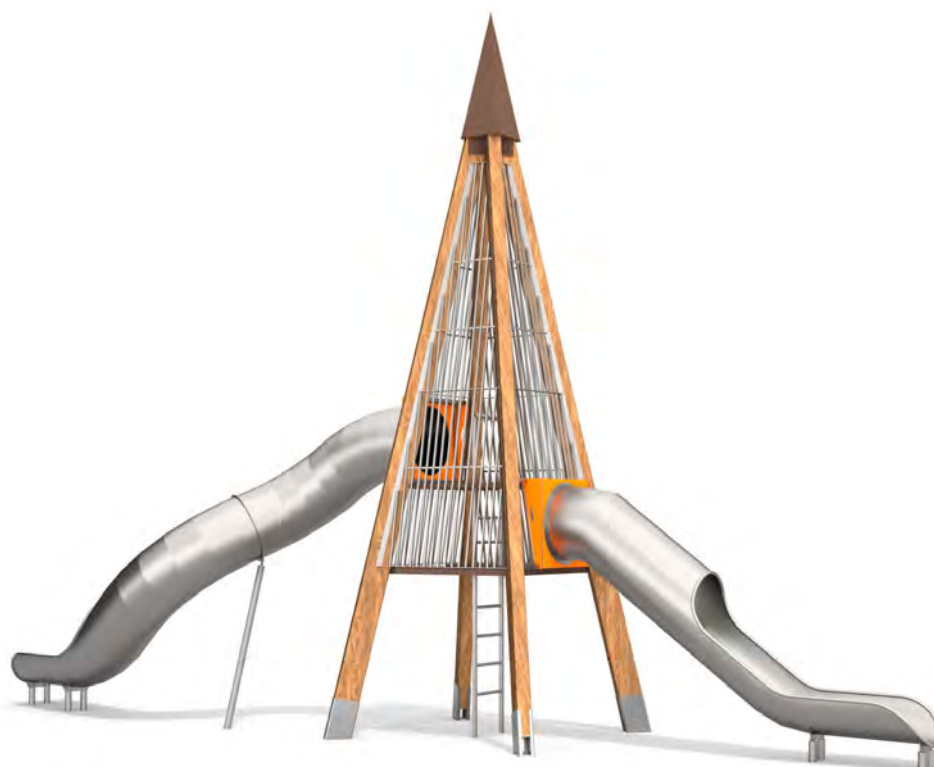
### INFORMATION ABOUT THE PRODUCT

Dimensions	1160 x 288 cm
Safety zone	1369 x 561 cm
Safety zone area	52,53 m <sup>2</sup>
Overall height	784 cm
Free fall height	180 cm
Amount of users	13
Product complies with EN 1176-1:2017-12	YES
Availability of spare parts	YES
Age range	3-12

According to EN 1176-1:2017-12 norm, the product requires applying a safety surface according to the product's free fall height.



1421



skala 1:200

**MATERIALS:**

**WOODEN CONSTRUCTION:** Conifer wood glued in layers with polyurethane glues. Wood posts processed in three-phased impregnation process.. Anchors powder galvanized.

Solid construction made of stainless steel AISI 304.

**PANELS:** HDPE 15 MM

**PLATFORM:** STEEL SHEET GALVANIZED AND COVERED WITH POWDER COATING PAINT + 10 MM HPL

**ŚLIZG TUBOWY I OTWARTY ZE STALI NIERDZEWNEJ AISI304.**

**STRUCTURAL ELEMENTS:** made of black steel protected against corrosion by galvanizing and powder coating with polyester paint QUALICOAT attested.

