

1431

MEGA



SLIDING



SOCIALIZING



CLIMBING



JUMPING

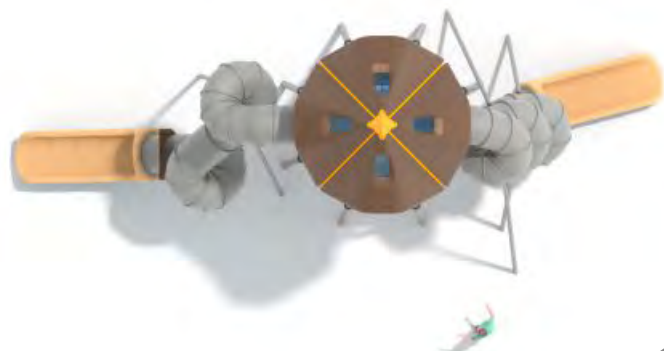


BALANCING



INFORMATION ABOUT THE PRODUCT

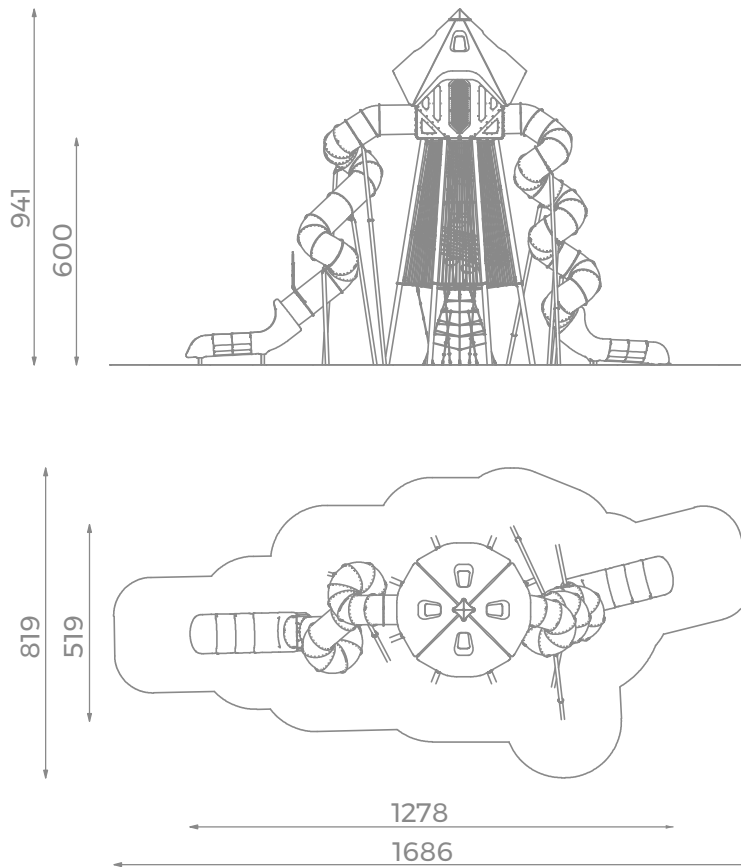
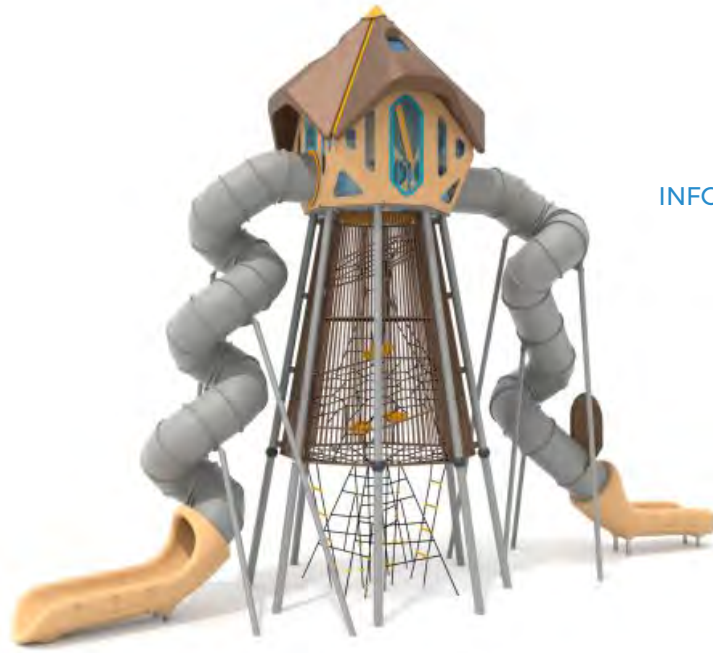
Dimensions	519 x 1278 cm
Safety zone	819 x 1686 cm
Safety zone area	86 m ²
Overall height	941 cm
Free fall height	216 cm
Amount of users	24
Product complies with EN 1176-1:2017-12	YES
Availability of spare parts	YES
Age range	3-12
<small>According to EN 1176-1:2017-12 norm, the product requires applying a safety surface according to the product's free fall height.</small>	



1431

MEGA

INFORMATION FOR ARCHITECTS



SCALE 1:200

MATERIALS:

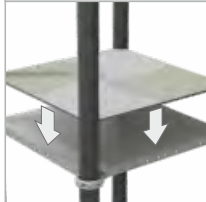
STEEL CONSTRUCTION:
Ø114 PIPES, POWDER
GALVANIZED AND COVERED IN
POWDER COATING PAINT



PANELS:
HDPE 15 MM



PLATFORM:
STEEL SHEET GALVANIZED
AND COVERED WITH
POWDER COATING PAINT
+ HPL 6 MM



SLIDES AND ROOFS
ARE MADE USING
ROTO-MOULDING TECHNIQUE
USING LDPE
MATERIAL



WALLS OF THE HOUSE ARE
MADE OF POWDER
GALVANIZED SHEET METAL
COATED IN A PROTECTIVE
LAYER OF POWDER PAINT
COATING. WINDOWS ARE
MADE OF TRANSPARENT
POLYCARBONATE.

