

# 1432

## MEGA



SLIDING



SOCIALIZING



CLIMBING



JUMPING

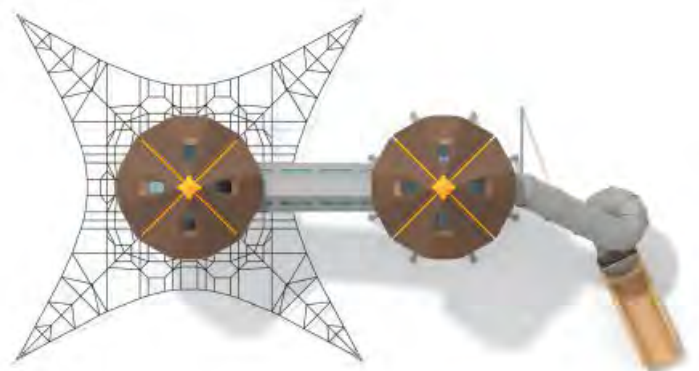


BALANCING

### INFORMATION ABOUT THE PRODUCT

Dimensions	872 x 1629 cm
Safety zone	1227 x 1932 cm
Safety zone area	185 m <sup>2</sup>
Overall height	841 cm
Free fall height	216 cm
Amount of users	61
Product complies with EN 1176-1:2017-12	YES
Availability of spare parts	YES
Age range	3-12

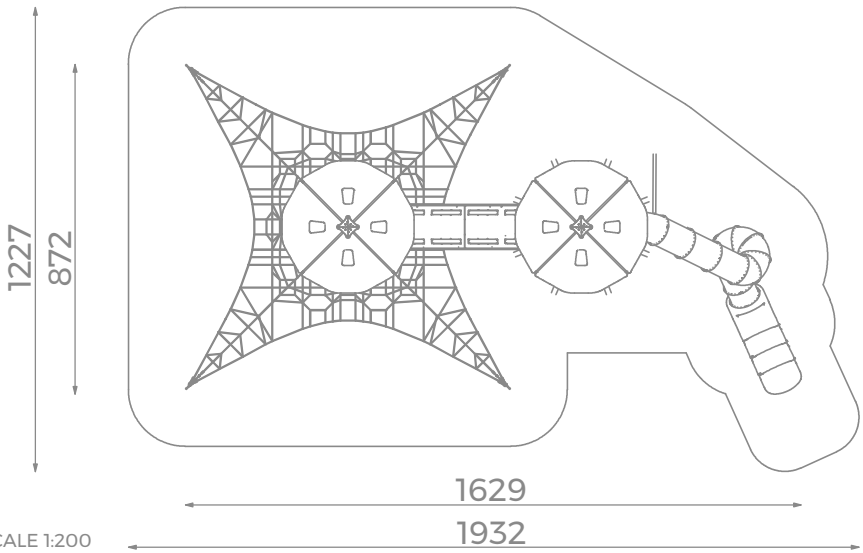
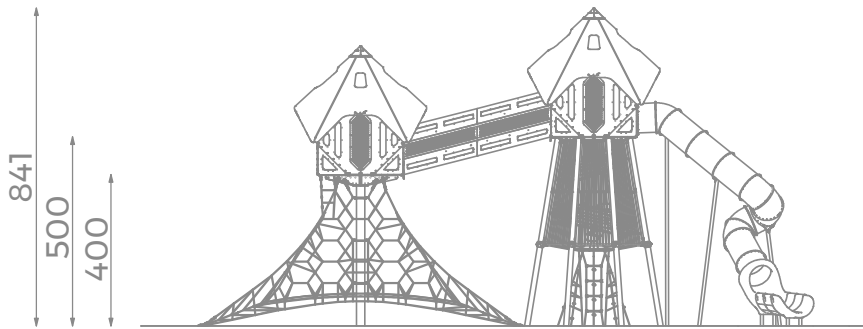
According to EN 1176-1:2017-12 norm, the product requires applying a safety surface according to the product's free fall height.



# 1432

# MEGA

## INFORMATION FOR ARCHITECTS



SCALE 1:200

### MATERIALS:

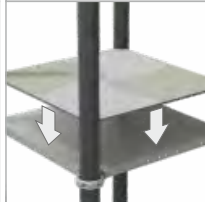
STEEL CONSTRUCTION:  
Ø114 PIPES, POWDER  
GALVANIZED AND COVERED IN  
POWDER COATING PAINT



PANELS:  
HDPE 15 MM



PLATFORM:  
STEEL SHEET GALVANIZED  
AND COVERED WITH  
POWDER COATING PAINT  
+ HPL 6 MM



SLIDES AND ROOFS  
ARE MADE USING  
ROTOMOULDING TECHNIQUE  
USING LDPE  
MATERIAL



WALLS OF THE HOUSE ARE  
MADE OF POWDER  
GALVANIZED SHEET METAL  
COATED IN A PROTECTIVE  
LAYER OF POWDER PAINT  
COATING. WINDOWS ARE  
MADE OF TRANSPARENT  
POLYCARBONATE.

