



SLIDING



SOCIALIZING



CLIMBING



JUMPING

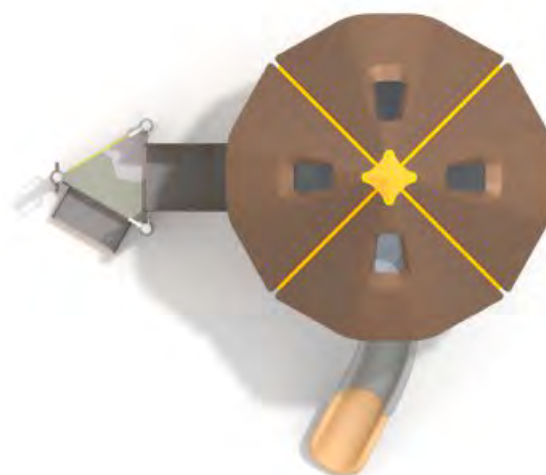


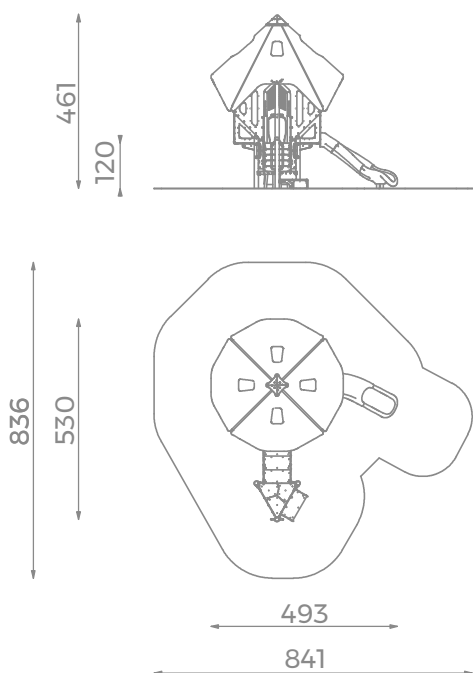
BALANCING

### INFORMATION ABOUT THE PRODUCT

Dimensions	530 x 493 cm
Safety zone	836 x 841 cm
Safety zone area	47 m <sup>2</sup>
Overall height	461 cm
Free fall height	120 cm
Amount of users	18
Product complies with EN 1176-1:2017-12	YES
Availability of spare parts	YES
Age range	3-12

According to EN 1176-1:2017-12 norm, the product requires applying a safety surface according to the product's free fall height.





SCALE 1:200

#### MATERIALS:

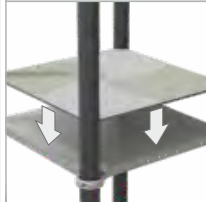
STEEL CONSTRUCTION:  
Ø114 PIPES, POWDER  
GALVANIZED AND COVERED IN  
POWDER COATING PAINT



PANELS:  
HDPE 15 MM



PLATFORM:  
STEEL SHEET GALVANIZED  
AND COVERED WITH  
POWDER COATING PAINT  
+ HPL 6 MM



SLIDES AND ROOFS  
ARE MADE USING  
ROTOMOULDING TECHNIQUE  
USING LDPE  
MATERIAL



WALLS OF THE HOUSE ARE  
MADE OF POWDER  
GALVANIZED SHEET METAL  
COATED IN A PROTECTIVE  
LAYER OF POWDER PAINT  
COATING. WINDOWS ARE  
MADE OF TRANSPARENT  
POLYCARBONATE.

