

1165

ACTIVE



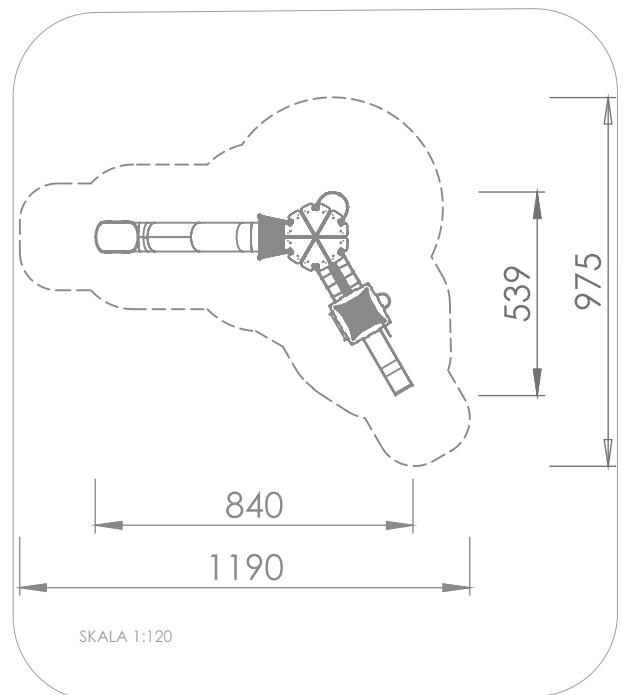
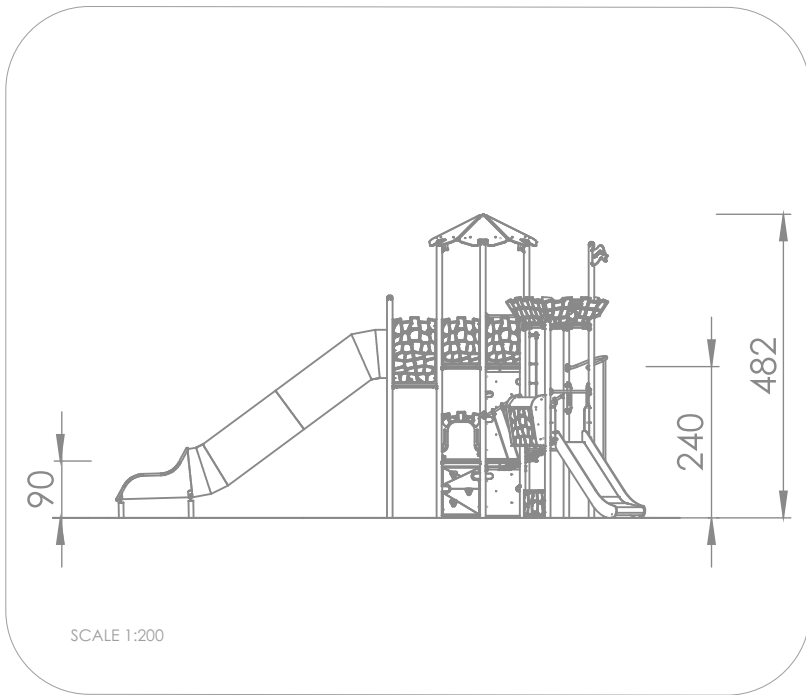
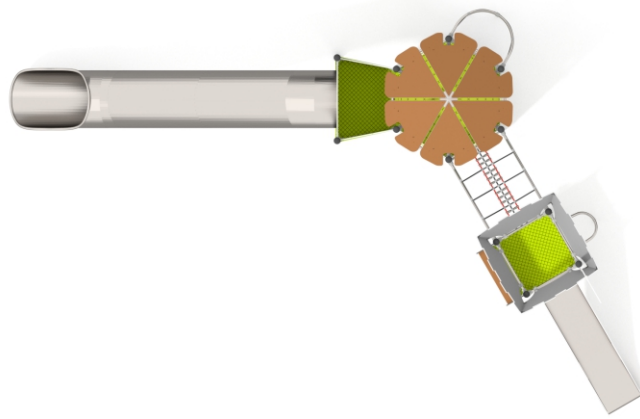
INFORMATION ABOUT THE PRODUCT

Dimensions	539 x 840 cm
Safety zone	975 x 1190 cm
Safety zone area	63 m ²
Overall height	482 cm
Free fall height	294 cm
Amount of users	22
Product complies with EN 1176-1:2017-12	YES
Availability of spare parts	YES
Age range	3-12
According to EN 1176-1:2017-12 norm, the product requires applying a safety surface according to the product's free fall height.	



1165

ACTIVE



MATERIALS:

CONSTRUCTION ELEMENTS MADE OF STAINLESS AISI 304	TUBE SLIDE MADE OF STAINLESS STEEL AISI304	ANTI-SLIP BLUE 13 MM HPL PLATFORM PLATE SERIES: ACTIV	THE TIC TAC TOE GAME IS MADE OF POLYETHYLENE RATIONALLY MOLDED WITH SYMBOLS ON THE FORM	PLATES OF THE WALLS MADE OF COLOURFUL TRIPLE LAYERED 15 MM HDPE POLYETHYLENE, IN THE HIGHEST QUALITY	SOLID AND ESTHETIC ROPE CONNECTORS MADE OF INJECTION MOLDED POLYAMIDE	POST ENDINGS FINISHED WITH SOFT EPDM RUBBER
PLATES OF THE WALLS AND PLATFORMS MADE OF COLOURFUL 13 MM HPL IN THE HIGHEST QUALITY	SLIDES MADE OF STAINLESS STEEL AISI 304, SIDE PANELS MADE OF HDPE POLYETHYLENE	SOLID CONSTRUCTION MADE BLACK STEEL S235JR CLEANED IN THE SANDBLASTING PROCESS	POLYPROPYLENE ROPES PPMULTISPLIT TYPE WITH A STEEL CORE AND A DIAMETER OF 16 MM	PLATE AND ROPE CONNECTORS MADE OF INJECTION MOLDED POLYAMIDE	ROPE ENDINGS PRESSED IN A SLEEVE MADE OF DURABLE ALUMINUM ALLOY	

