

3022

SINGLE



SOCIALIZING



SWINGING



INFORMATION ABOUT THE PRODUCT

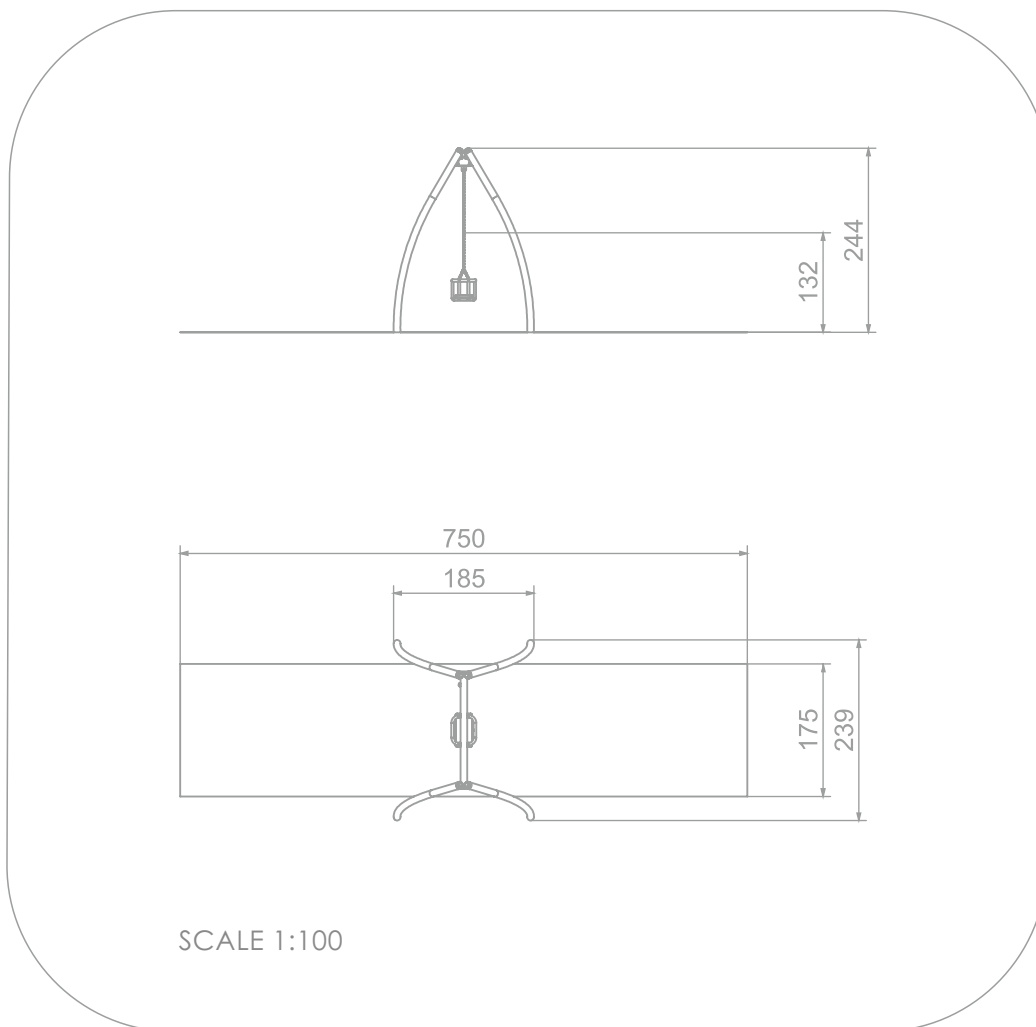
Dimensions	185 x 239 cm
Safety zone	750 x 175 cm
Safety zone area	14 m ²
Overall height	244 cm
Free fall height	132 cm
Amount of users	1
Product complies with EN 1176-1:2017	YES
Availability of spare parts	YES
Age range	1-4

According to EN 1176-1:2017 norm, the product requires applying a safety surface according to the product's free fall height.



3022

SINGLE



MATERIALS:

SOLID CONSTRUCTION MADE OF BLACK STEEL IS235JR, CLEANED THE SANDBLASTING PROCESS



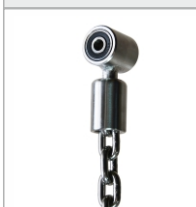
POST ENDINGS FINISHED WITH SOFT EPDM RUBBER



SAFETY SEAT MADE OF ALUMINUM AND STAINLESS STEEL COVERED WITH SOFT POLYURETHANE



SWING SLINGS, WITH DOUBLE BEARINGS

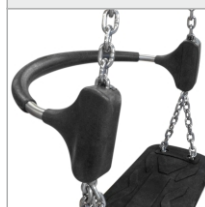


OPTIONAL:

THE SEATS ARE MADE WITH AN ALUMINIUM CONSTRUCTION COVERED WITH A SOFT EPDM RUBBER



BACK SUPPORT OF THE SEAT WITH STEEL CONSTRUCTION COVERED WITH SOFT POLYURETHANE



SEAT WITH A CONSTRUCTION MADE OF ALUMINIUM AND STAINLESS STEEL, DEDICATED FOR MOTHER AND CHILD

