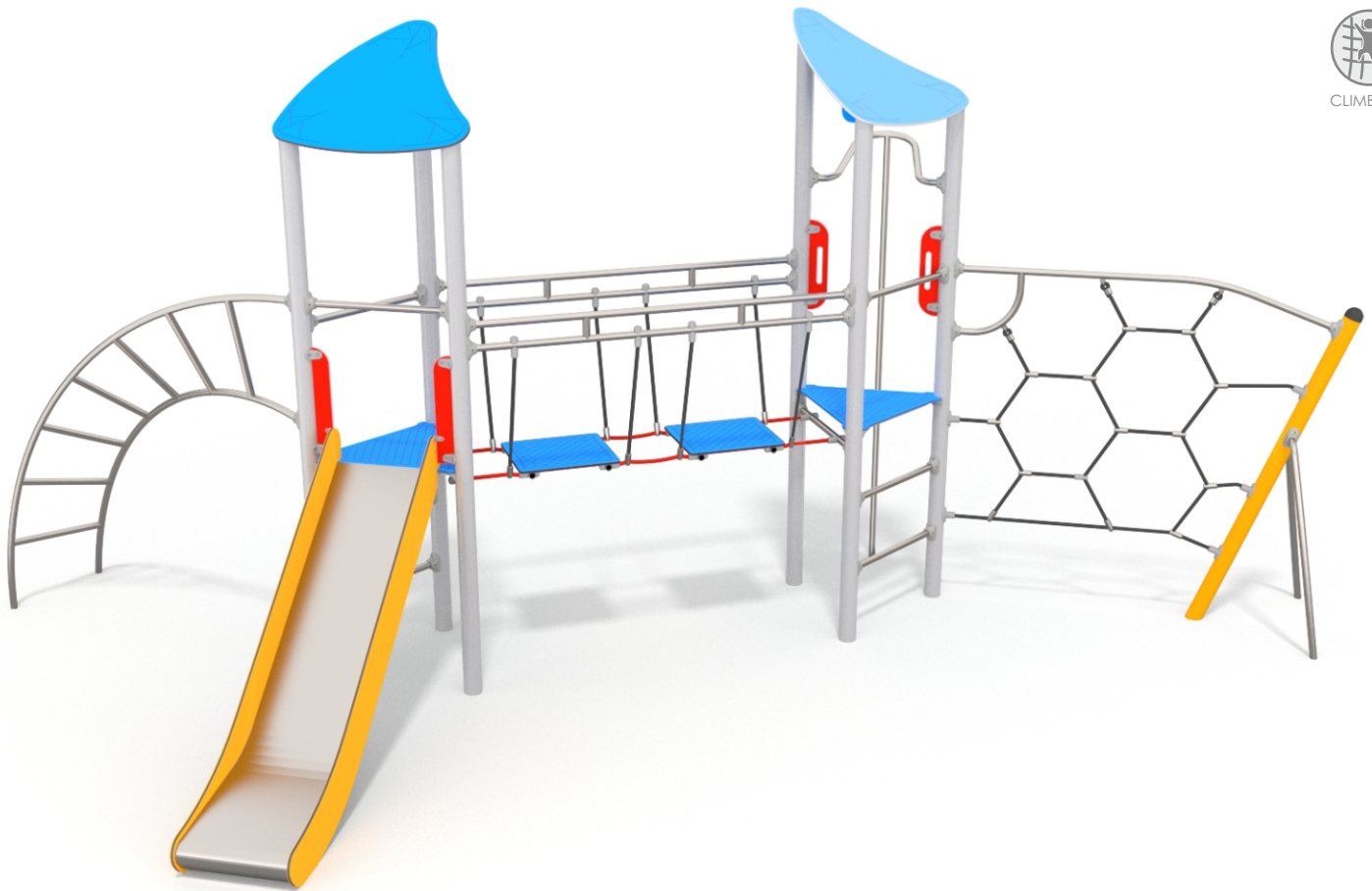


# 1101

## ACTIVE



SLIDING



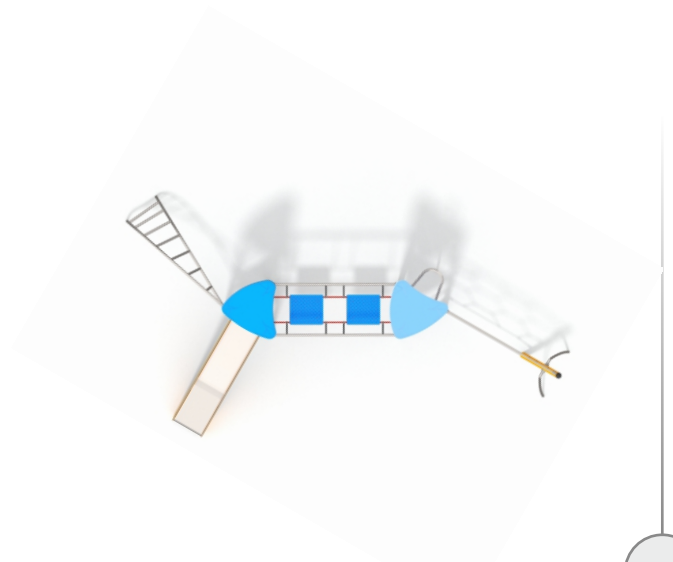
SOCIALIZING



CLIMBING

### INFORMATION ABOUT THE PRODUCT

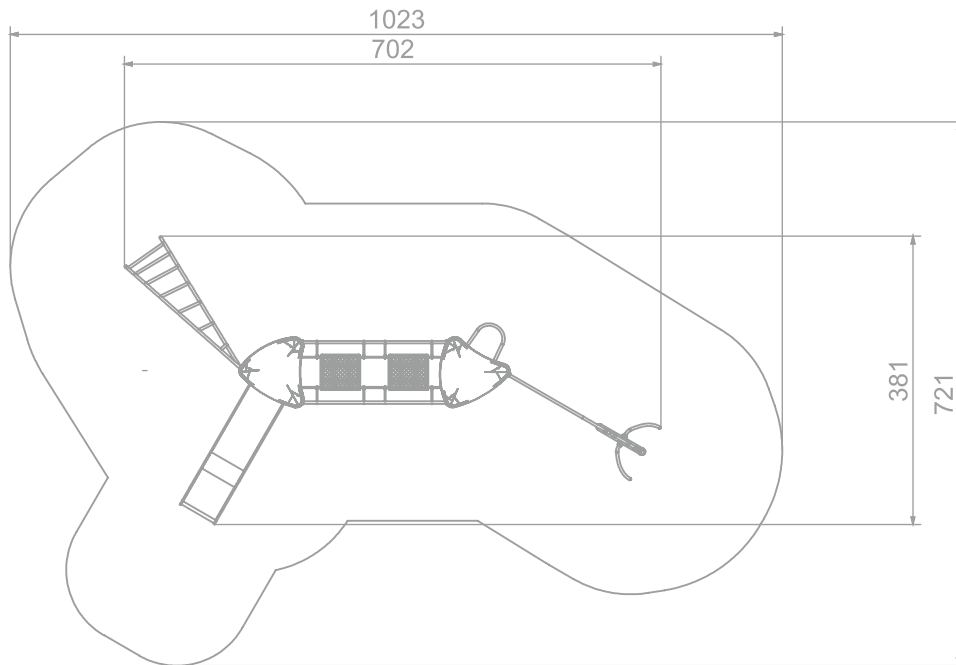
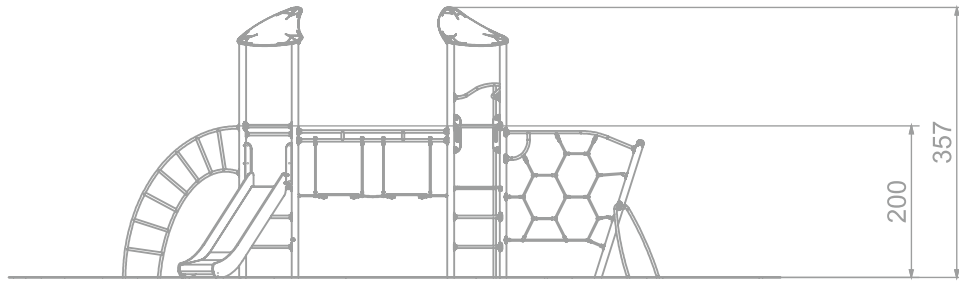
Dimensions	381 x 702 cm
Safety zone	721 x 1023 cm
Safety zone area	47 m <sup>2</sup>
Overall height	357 cm
Free fall height	200 cm
Amount of users	10
Product complies with EN 1176-1:2017-12	YES
Availability of spare parts	YES
Age range	3-12
According to EN 1176-1:2017-12 norm, the product requires applying a safety surface according to the product's free fall height.	



# 1101



## ACTIVE



SKALA 1:100

### MATERIALS:

<p>CONSTRUCTION ELEMENTS MADE OF STAINLESS AISI 304</p>	<p>POST ENDINGS FINISHED WITH SOFT EPDM RUBBER</p>	<p>PLATES OF THE WALLS MADE OF COLOURFUL TRIPLE LAYERED 15 MM HDPE POLYETHYLENE, IN THE HIGHEST QUALITY</p>	<p>ANTI-SLIP BLUE 13 MM HPL PLATFORM PLATE SERIES: ACTIV</p>	<p>SOLID CONSTRUCTION MADE BLACK STEEL S235JR CLEANED IN THE SANDBLASTING PROCESS</p>
				
<p>SLIDES MADE OF STAINLESS STEEL AISI 304, SIDE PANELS MADE OF HDPE POLYETHYLENE</p>	<p>PLATE AND ROPE CONNECTORS MADE OF INJECTION MOLDED POLYAMIDE</p>	<p>ROPE ENDINGS PRESSED IN A SLEEVE MADE OF DURABLE ALUMINUM ALLOY</p>	<p>POLYPROPYLENE ROPES PPMULTISPLIT TYPE WITH A STEEL CORE AND A DIAMETER OF 16 MM</p>	<p>SYSTEM OF CONNECTORS AND CLAMPS MADE OF STRONG ALUMINUM ALLOY</p>
				

