

# 1126

## ACTIVE



SLIDING



SOCIALIZING



CLIMBING



SENSORIAL  
INTEGRATION

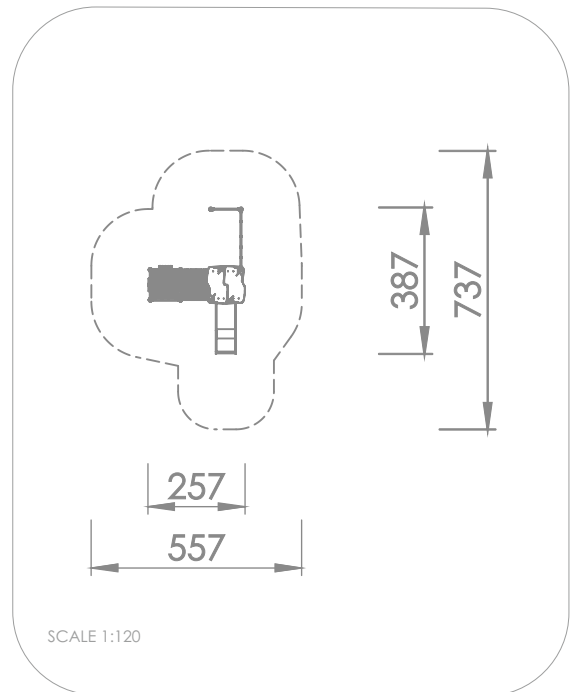
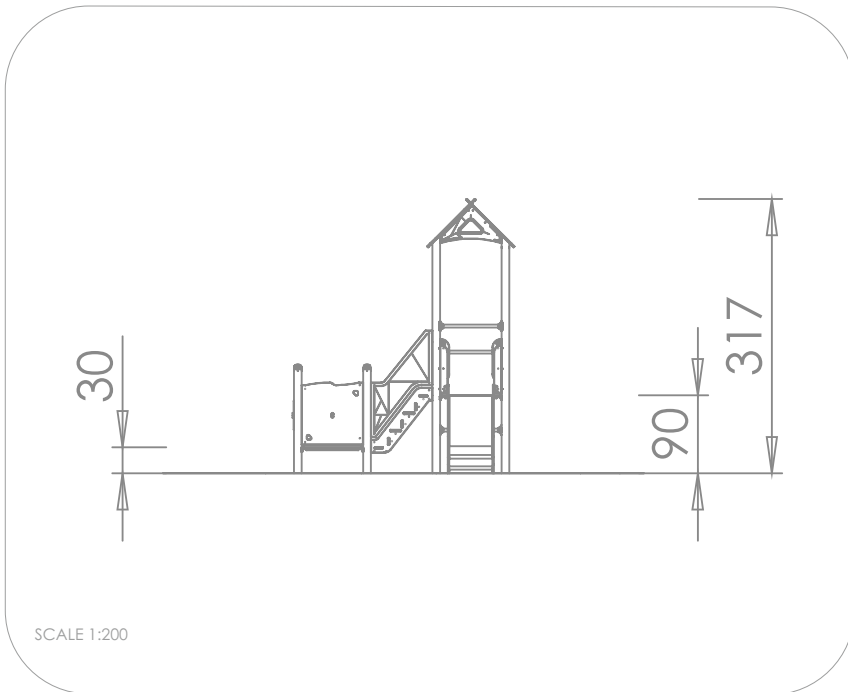
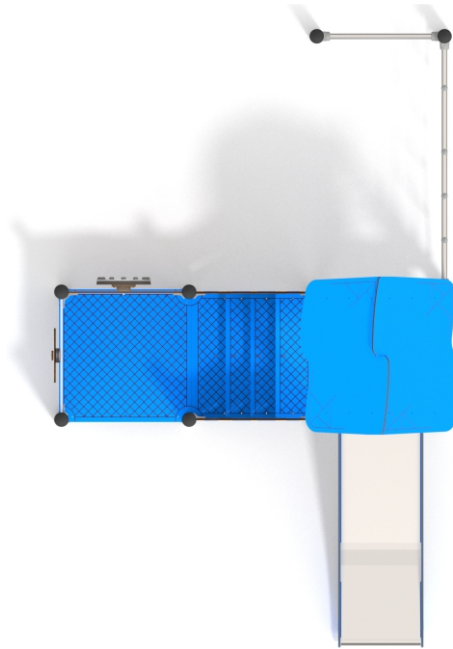
### INFORMATION ABOUT THE PRODUCT

Dimensions	257 x 387 cm
Safety zone	557 x 737 cm
Safety zone area	31 m <sup>2</sup>
Overall height	317 cm
Free fall height	150 cm
Amount of users	10
Product complies with EN 1176-1:2017-12	YES
Availability of spare parts	YES
Age range	3-12
According to EN 1176-1:2017-12 norm, the product requires applying a safety surface according to the product's free fall height.	



# 1126

# ACTIVE



## MATERIALS:

CONSTRUCTION ELEMENTS MADE OF STAINLESS AISI 304	PLATES OF THE WALLS MADE OF COLOURFUL TRIPLE LAYERED 15 MM HDPE POLYETHYLENE, IN THE HIGHEST QUALITY	ANTI-SLIP BLUE 13 MM HPL PLATFORM PLATE SERIES: ACTIV	PLATE AND ROPE CONNECTORS MADE OF INJECTION MOLDED POLYAMIDE	SYSTEM OF CONNECTORS AND CLAMPS MADE OF STRONG ALUMINUM ALLOY	ROTARY MODULE, MADE OF 13MM HPL PLATES.	POST ENDINGS FINISHED WITH SOFT EPDM RUBBER
PLATES OF THE WALLS AND PLATFORMS MADE OF COLOURFUL 13 MM HPL IN THE HIGHEST QUALITY	SLIDES MADE OF STAINLESS STEEL AISI 304, SIDE PANELS MADE OF HDPE POLYETHYLENE	SOLID AND ESTHETIC ROPE CONNECTORS MADE OF INJECTION MOLDED POLYAMIDE	ROPE ENDINGS PRESSED IN A SLEEVE MADE OF DURABLE ALUMINUM ALLOY	POLYPROPYLENE ROPES PPMULTISPLIT TYPE WITH A STEEL CORE AND A DIAMETER OF 16 MM	SOLID CONSTRUCTION MADE BLACK STEEL S235JR CLEANED IN THE SANDBLASTING PROCESS	

