

1127

ACTIVE



SLIDING



SOCIALIZING



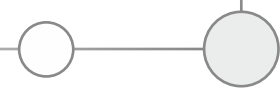
CLIMBING



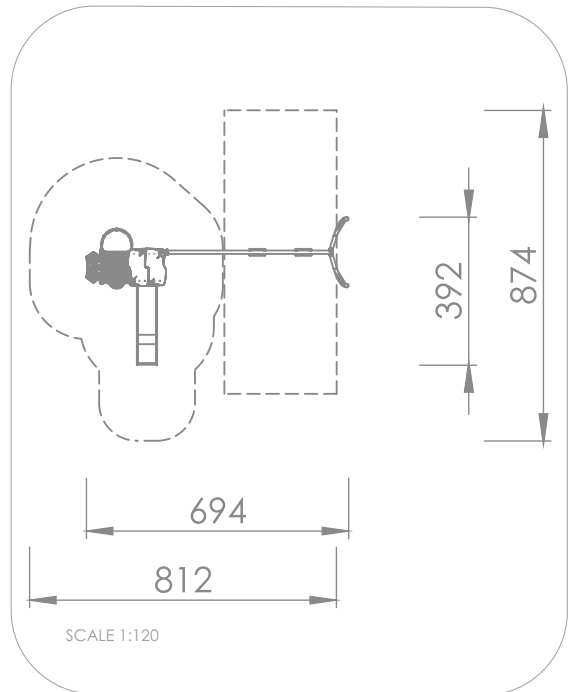
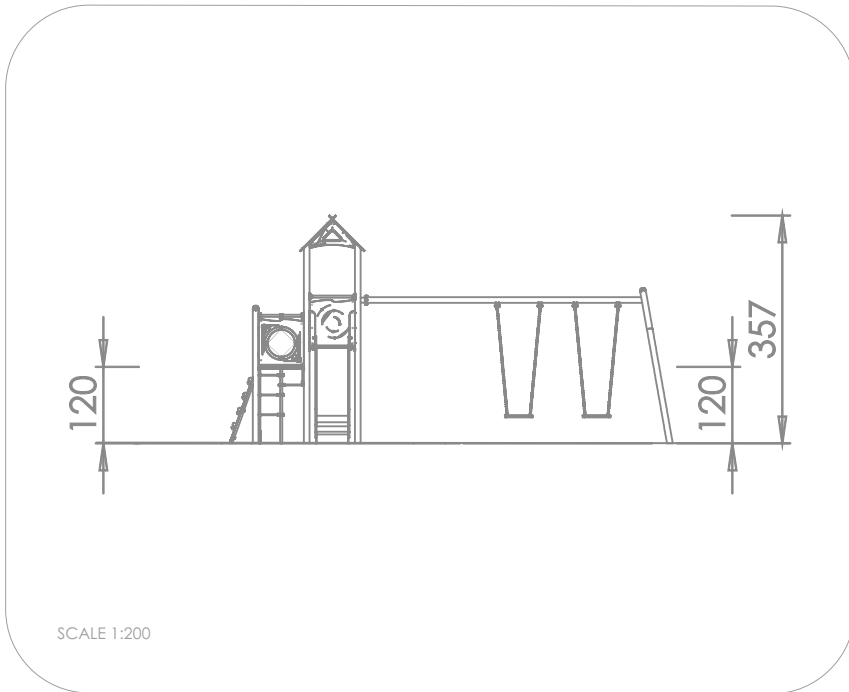
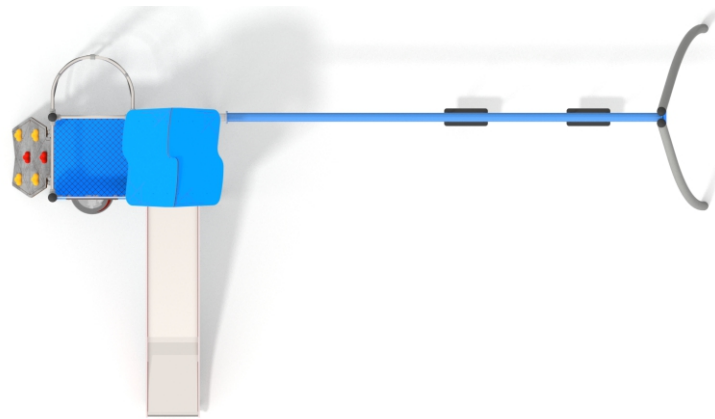
SENSORIAL INTEGRATION

INFORMATION ABOUT THE PRODUCT

Dimensions	392 x 694 cm
Safety zone	874 x 812 cm
Safety zone area	50 m ²
Overall height	357 cm
Free fall height	204 cm
Amount of users	10
Product complies with EN 1176-1:2017-12	YES
Availability of spare parts	YES
Age range	3-12
According to EN 1176-1:2017-12 norm, the product requires applying a safety surface according to the product's free fall height.	



1127



MATERIALS:

<p>CONSTRUCTION ELEMENTS MADE OF STAINLESS AISI 304</p>	<p>PLATES OF THE WALLS MADE OF COLOURFUL TRIPLE LAYERED 15 MM HDPE POLYETHYLENE, IN THE HIGHEST QUALITY</p>	<p>ANTI-SLIP BLUE 13 MM HPL PLATFORM PLATE SERIES: ACTIV</p>	<p>PLATE AND ROPE CONNECTORS MADE OF INJECTION MOLDED POLYAMIDE</p>	<p>THE SEATS ARE MADE WITH AN ALUMINUM CONSTRUCTION COVERED WITH A SOFT EPDM RUBBER</p>	<p>HEMISPHERIC WINDOW WITH A DIAMETER OF 400 MM, MADE OF HEAT-FORMED POLYCARBONATE 5 MM</p>	<p>SOLID CONSTRUCTION MADE BLACK STEEL S235JR CLEANED IN THE SANDBLASTING PROCESS</p>
<p>PLATES OF THE WALLS AND PLATFORMS MADE OF COLOURFUL 13 MM HPL IN THE HIGHEST QUALITY</p>	<p>SLIDES MADE OF STAINLESS STEEL AISI 304, SIDE PANELS MADE OF HDPE POLYETHYLENE</p>	<p>SOLID AND ESTHETIC ROPE CONNECTORS MADE OF INJECTION MOLDED POLYAMIDE</p>	<p>ROPE ENDINGS PRESSED IN A SLEEVE MADE OF DURABLE ALUMINUM ALLOY</p>	<p>POLYPROPYLENE ROPES PPMULTISPLIT TYPE WITH A STEEL CORE AND A DIAMETER OF 16 MM</p>	<p>SWINGS SLINGS, WITH DOUBLE BEARINGS, MADE OF STAINLESS STEEL</p>	<p>POST ENDINGS FINISHED WITH SOFT EPDM RUBBER</p>