

ACTIVE

1138



SLIDING



SOCIALIZING



CLIMBING



INFORMATION ABOUT THE PRODUCT

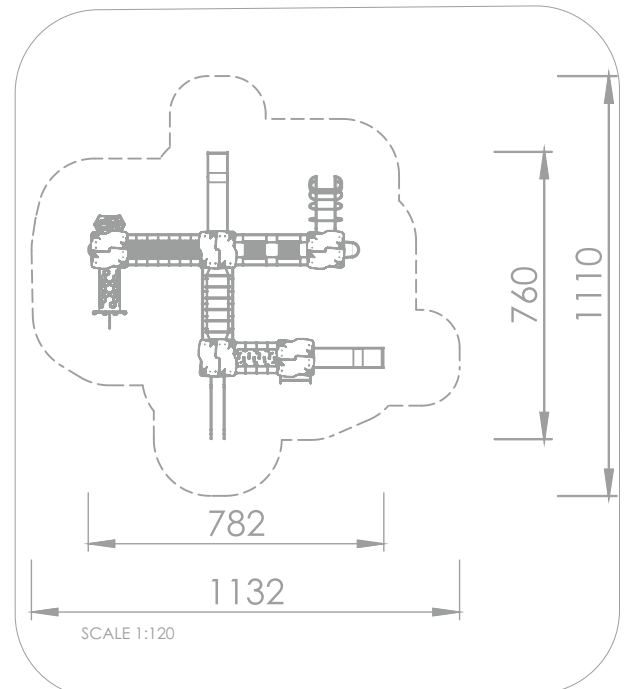
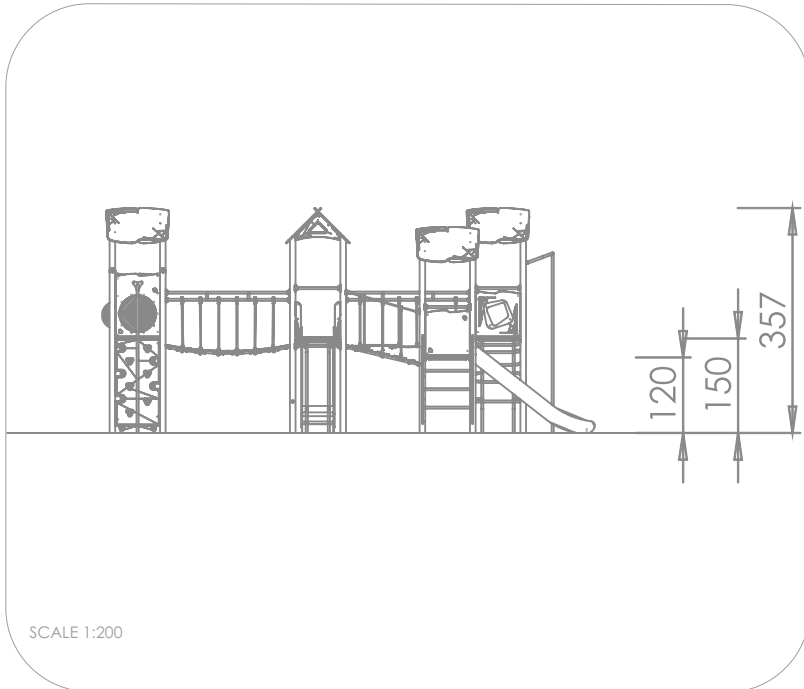
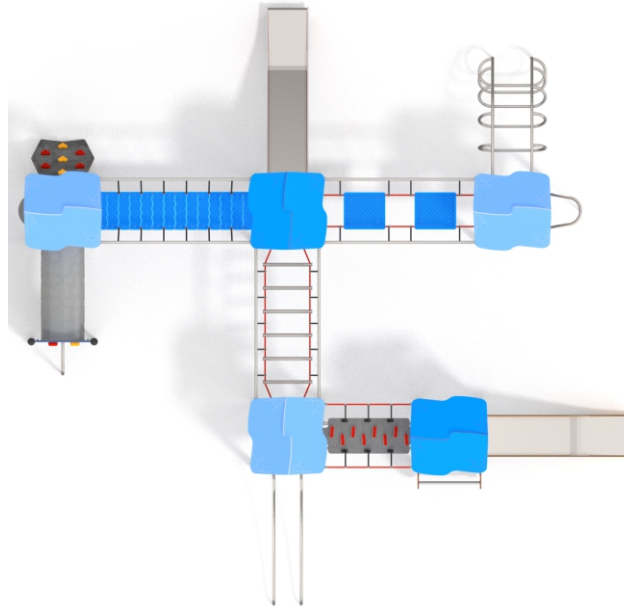
Dimensions	760 x 782cm
Safety zone	1110 x 1132 cm
Safety zone area	83 m ²
Overall height	357 cm
Free fall height	163 cm
Amount of users	33
Product complies with EN 1176-1:2017-12	YES
Availability of spare parts	YES
Age range	3-12

According to EN 1176-1:2017-12 norm, the product requires applying a safety surface according to the product's free fall height.



1138

ACTIVE



MATERIALS:

<p>CONSTRUCTION ELEMENTS MADE OF STAINLESS AISI 304</p> 	<p>PLATES OF THE WALLS MADE OF COLOURFUL TRIPLE LAYERED 15 MM HDPE POLYETHYLENE, IN THE HIGHEST QUALITY</p> 	<p>ANTI-SLIP BLUE 13 MM HPL PLATFORM PLATE SERIES: ACTIV</p> 	<p>PLATE AND ROPE CONNECTORS MADE OF INJECTION MOLDED POLYAMIDE</p> 	<p>CLIMBING ROCKS MADE OF CHIPPINGS AND COLOURFUL POLYESTER RESIN</p> 	<p>SOLID CONSTRUCTION MADE BLACK STEEL S235JR CLEANED IN THE SANDBLASTING PROCESS</p> 	<p>THE PASSAGE MODULE MADE OF POLYPROPYLENE ROPE WITH A DIAMETER OF 16 MM</p> 
<p>PLATES OF THE WALLS AND PLATFORMS MADE OF COLOURFUL 13 MM HPL IN THE HIGHEST QUALITY</p> 	<p>SLIDES MADE OF STAINLESS STEEL AISI 304, SIDE PANELS MADE OF HDPE POLYETHYLENE</p> 	<p>ROPE ENDINGS PRESSED IN A SLEEVE MADE OF DURABLE ALUMINUM ALLOY</p> 	<p>POLYPROPYLENE ROPES PPMULTISPLIT TYPE WITH A STEEL CORE AND A DIAMETER OF 16 MM</p> 	<p>TUBE MADE OF LDPE POLYETHYLENE ROTATIONALLY MOLDED WITH THE INNER DIAMETER OF 53,3 CM AND THE LENGTH OF 125 CM</p> 	<p>SOLID CONSTRUCTION MADE BLACK STEEL S235JR CLEANED IN THE SANDBLASTING PROCESS</p> 	

