

# AQUARIUS

## 1719<sub>INOX</sub>



SOCIALIZING

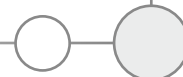


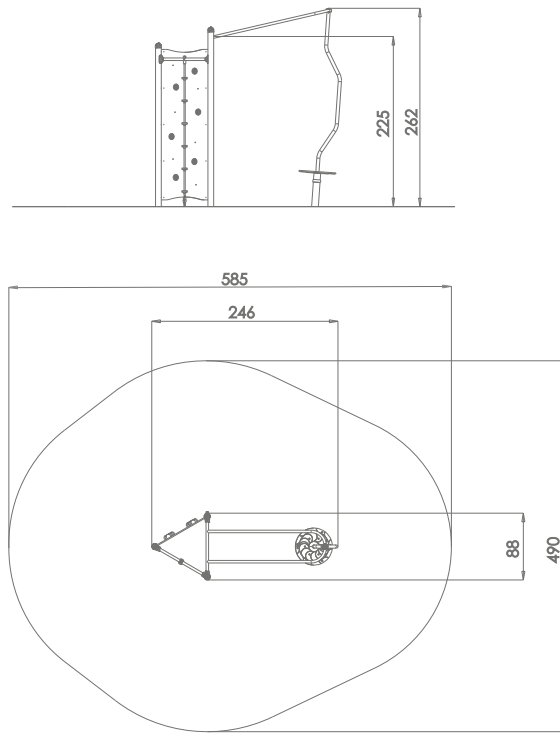
CLIMBING



### INFORMATION ABOUT THE PRODUCT




Dimensions	246 x 88 cm
Safety zone	585 x 490 cm
Safety zone area	22 m <sup>2</sup>
Overall height	262 cm
Free fall height	225 cm
Amount of users	4
Product complies with EN 1176-1:2017-12	YES
Availability of spare parts	YES
Age range	3-12
According to EN 1176-1:2017-12 norm, the product requires applying a safety surface according to the product's free fall height.	





SCALE 1:100

### MATERIALS:

<p>CONSTRUCTION MADE OF STAINLESS STEEL AISI 304</p>	<p>SAFE PIPE PLUGS MADE OF INJECTION MOLDED POLYAMID</p>	<p>ROPE LADDER STEPS AND ROPE KNOTS MADE OF INJECTION MOLDED POLYAMIDE</p>
		
<p>PLATES OF THE WALLS AND PLATFORMS MADE OF COLOURFUL 13 MM HPL</p>	<p>CLIMBING ROCKS MADE OF CHIPPINGS AND COLOURFUL POLYESTER RESIN</p>	<p>PLATE AND ROPE CONNECTORS MADE OF INJECTION MOLDED POLYAMIDE</p>
