

4076



SOCIALIZING



CLIMBING

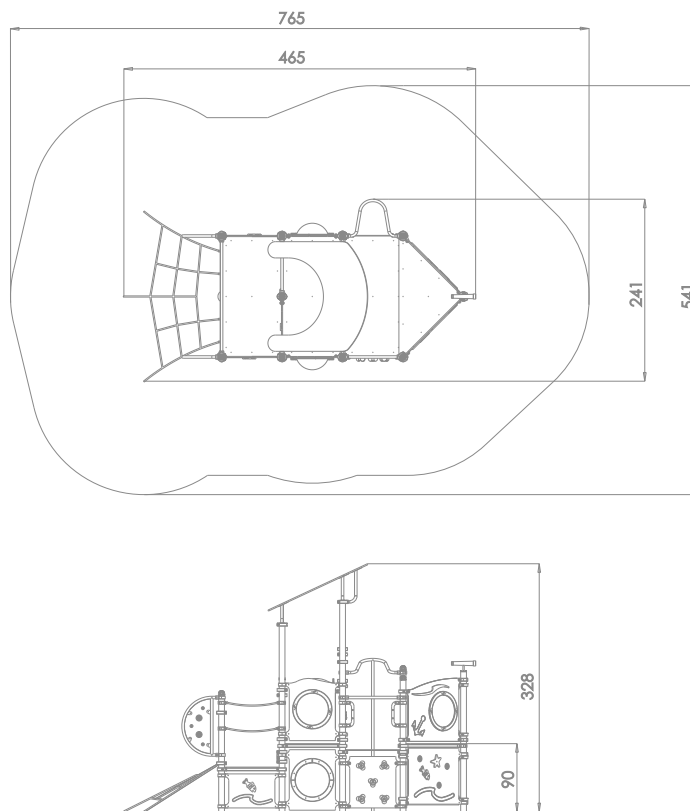


SENSORIAL
INTEGRATION

INFORMATION ABOUT THE PRODUCT





Dimensions	465 x 241 cm
Safety zone	765 x 541 cm
Safety zone area	34 m ²
Overall height	328 cm
Free fall height	90 cm
Amount of users	18
Product complies with EN 1176-1:2017-12	YES
Availability of spare parts	YES
Age range	3-12
According to EN 1176-1:2017-12 norm, the product requires applying a safety surface according to the product's free fall height.	





SCALE 1:100

MATERIALS:

<p>ELEMENTS CONSTRUCTION MADE OF STAINLESS STEEL AISI 304</p>	<p>SOLID AND ESTHETIC ROPE CONNECTORS MADE OF INJECTION MOLDED POLYAMIDE.</p>	<p>PLATES OF THE WALLS MADE OF COLOURFUL TRIPLE LAYERED 15 MM HDPE POLYETHYLENE</p>	<p>POLYPROPYLENE ROPES PPMULTISPLIT TYPE WITH A STEEL CORE AND A DIAMETER OF 16 MM</p>	
				
<p>PLATES OF THE WALLS AND PLATFORMS MADE OF COLOURFUL 13 MM HPL</p>	<p>CLIMBING ROCKS MADE OF CHIPPINGS AND COLOURFUL POLYESTER RESIN</p>	<p>HEMISPHERIC WINDOW WITH A DIAMETER OF 400 MM</p>	<p>ROPE ENDINGS PRESSED IN A SLEEVE MADE OF DURABLE ALUMINUM ALLOY</p>	<p>SAFE PIPE PLUGS MADE OF INJECTION MOLDED POLYAMID</p>
