

1701_{INOX}



SLIDING



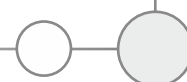
SOCIALIZING

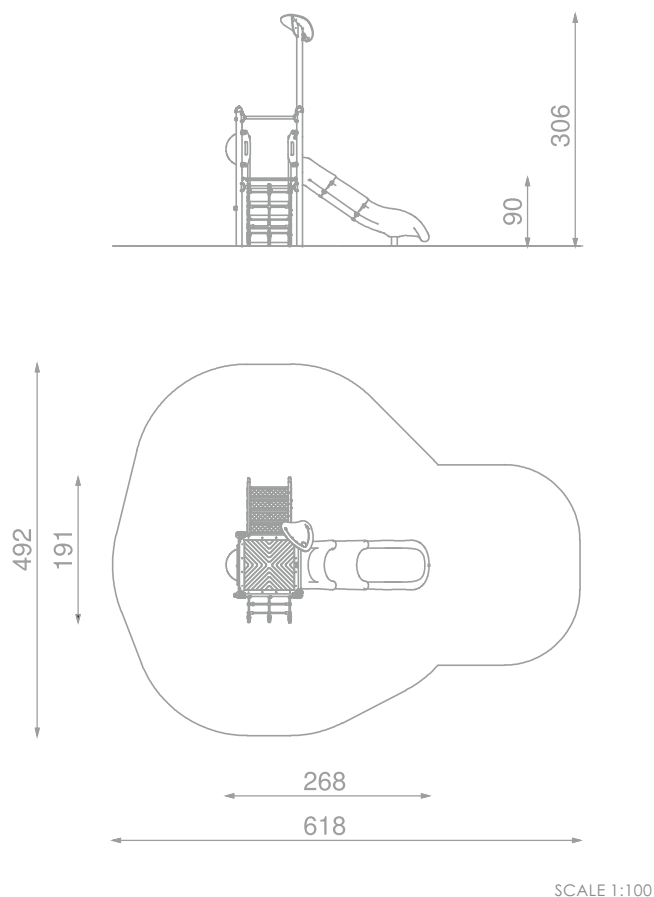


CLIMBING

INFORMATION ABOUT THE PRODUCT

| | |
|---|---------------------|
| Dimensions | 191 x 268 cm |
| Safety zone | 492 x 618 cm |
| Safety zone area | 22,2 m ² |
| Overall height | 306 cm |
| Free fall height | 90 cm |
| Amount of users | 6 |
| Product complies with PN-EN 1176-1:2017-12 | YES |
| Availability of spare parts | YES |
| Age range | 1-8 |
| According to PN-EN 1176-1:2017-12 norm, the product requires applying a safety surface according to the product's free fall height. | |





MATERIALS:

| | | | | |
|---|--|--|---|---|
| CONSTRUCTION MADE OF STAINLESS STEEL AISI 304 | SAFE PIPE PLUGS MADE OF INJECTION MOLDED POLYAMID | PLATES OF THE WALLS MADE OF COLOURFUL TRIPLE LAYERED 15 MM HDPE POLYETHYLENE | HEMISPHERIC WINDOW WITH A DIAMETER OF 400 MM | SOLID AND ESTHETIC ROPE CONNECTORS MADE OF INJECTION MOLDED POLYAMIDE |
| | | | | |
| PLATES OF THE WALLS AND PLATFORMS MADE OF COLOURFUL 13 MM HPL | MODULAR POLYETHYLENE SLIDES MADE OF ROTOMOULDED LDPE TYPE MATERIAL | PLATE AND ROPE CONNECTORS MADE OF INJECTION MOLDED POLYAMIDE | ROPE ENDINGS PRESSED IN A SLEEVE MADE OF DURABLE ALUMINUM ALLOY | POLYPROPYLENE ROPES PPMULTISPLIT TYPE WITH A STEEL CORE AND A DIAMETER OF 16 MM |
| | | | | |