

1703_{INOX}



SLIDING



SOCIALIZING

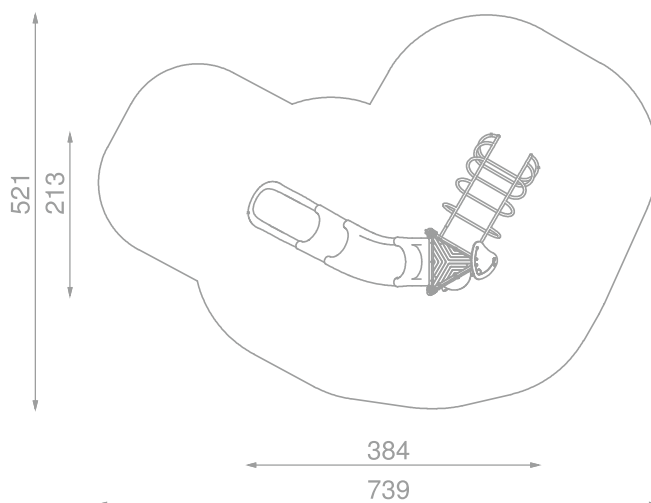
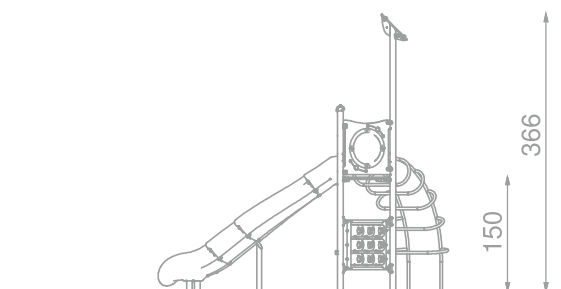


CLIMBING

INFORMATION ABOUT THE PRODUCT

Dimensions	213 x 384 cm
Safety zone	521 x 739 cm
Safety zone area	26,8 m ²
Overall height	366 cm
Free fall height	150 cm
Amount of users	5
Product complies with PN-EN 1176-1:2017-12	YES
Availability of spare parts	YES
Age range	3-12
According to PN-EN 1176-1:2017-12 norm, the product requires applying a safety surface according to the product's free fall height.	





SCALE 1:100

MATERIALS:

<p>CONSTRUCTION MADE OF STAINLESS STEEL AISI 304</p>	<p>SAFE PIPE PLUGS MADE OF INJECTION MOLDED POLYAMID</p>	<p>PLATES OF THE WALLS MADE OF COLOURFUL TRIPLE LAYERED 15 MM HDPE POLYETHYLENE</p>	<p>HEMISPHERIC WINDOW WITH A DIAMETER OF 400 MM</p>	
				
<p>PLATES OF THE WALLS AND PLATFORMS MADE OF COLOURFUL 13 MM HPL</p>	<p>MODULAR POLYETHYLENE SLIDES MADE OF ROTOMOULDED LDPE TYPE MATERIAL</p>	<p>PLATE AND ROPE CONNECTORS MADE OF INJECTION MOLDED POLYAMIDE</p>	<p>THE TIC TAC TOE GAME IS MADE OF POLYETHYLENE ROTATIONALLY MOLDED WITH SYMBOLS ON THE FORM</p>	<p>CONNECTING ELEMENTS LIKE SCREWS, NUTS, WASHERS MADE OF STAINLESS STEEL</p>
				

