

1704_{INOX}



SLIDING



SOCIALIZING

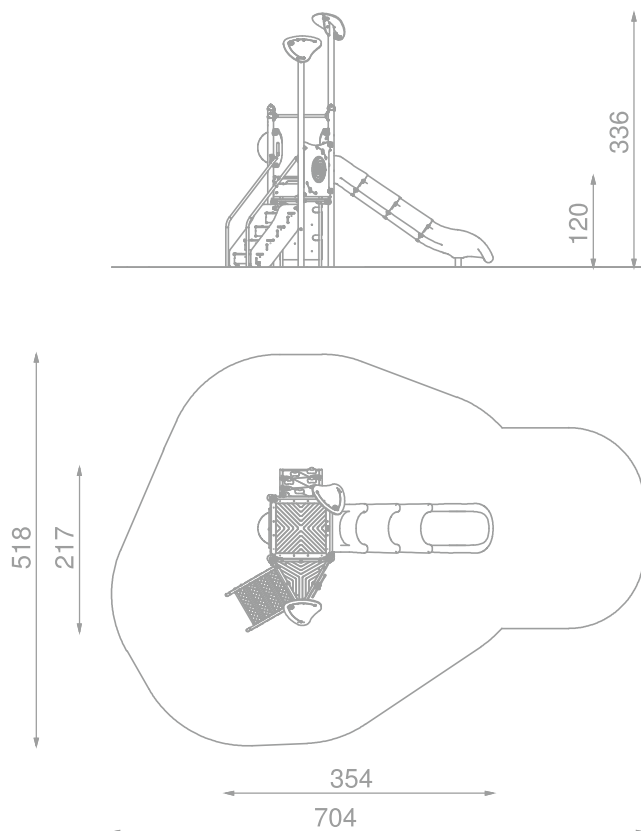


CLIMBING

INFORMATION ABOUT THE PRODUCT

Dimensions	217 x 354 cm
Safety zone	518 x 704 cm
Safety zone area	25,9 m ²
Overall height	336 cm
Free fall height	120 cm
Amount of users	8
Product complies with EN 1176-1:2017-12	YES
Availability of spare parts	YES
Age range	1-8
According to EN 1176-1:2017-12 norm, the product requires applying a safety surface according to the product's free fall height.	





SCALE 1:100

MATERIALS:

CONSTRUCTION MADE OF STAINLESS STEEL AISI 304	SAFE PIPE PLUGS MADE OF INJECTION MOLDED POLYAMID	PLATES OF THE WALLS MADE OF COLOURFUL TRIPLE LAYERED 15 MM HDPE POLYETHYLENE	HEMISPHERIC WINDOW WITH A DIAMETER OF 400 MM	
PLATES OF THE WALLS AND PLATFORMS MADE OF COLOURFUL 13 MM HPL	MODULAR POLYETHYLENE SLIDES MADE OF ROTOMOULDED LDPE TYPE MATERIAL	PLATE AND ROPE CONNECTORS MADE OF INJECTION MOLDED POLYAMIDE	CLIMBING ROCKS MADE OF CHIPPINGS AND COLOURFUL POLYESTER RESIN	CONNECTING ELEMENTS LIKE SCREWS, NUTS, WASHERS MADE OF STAINLESS STEEL

