

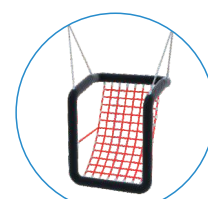
3025



SOCIALIZING



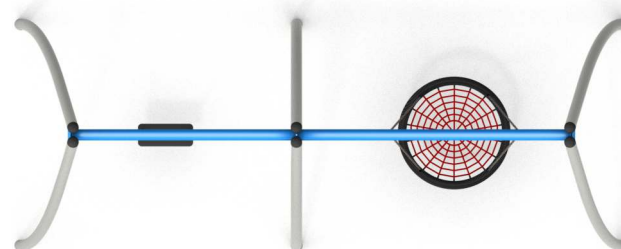
SWINGING



INFORMATION ABOUT THE PRODUCT

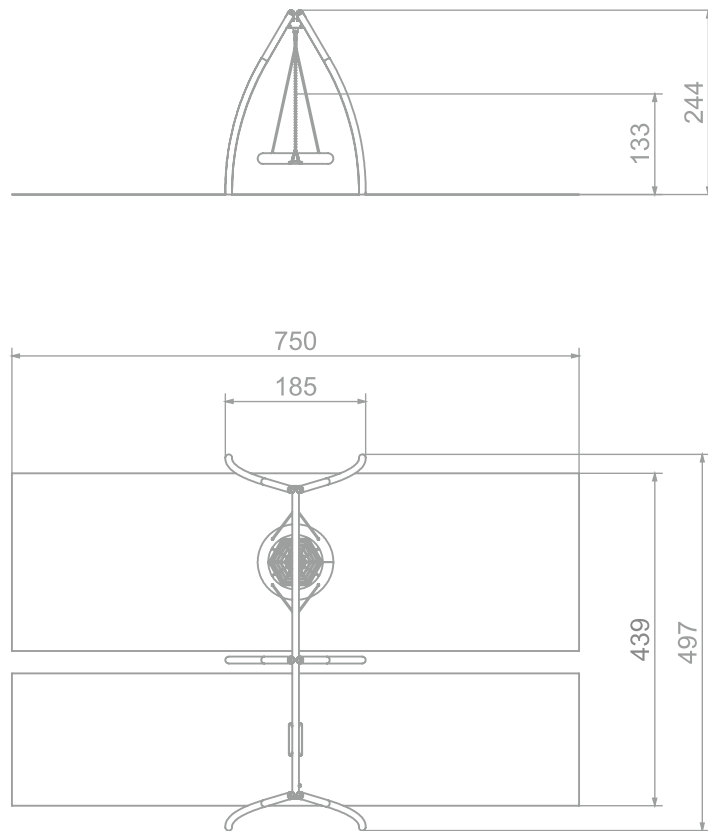
Dimensions	185 x 497 cm
Safety zone	750 x 439 cm
Safety zone area	31 m ²
Overall height	244 cm
Free fall height	133 cm
Amount of users	5
Product complies with EN 1176-1:2017-12	YES
Availability of spare parts	YES
Age range	3-12

According to EN 1176-1:2017-12 norm, the product requires applying a safety surface according to the product's free fall height.



3025

INFORMATION FOR ARCHITECTS



SCALE 1:100

MATERIALS:

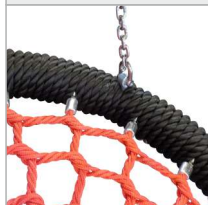
SOLID CONSTRUCTION MADE OF BLACK STEEL IS235JR, CLEANED THE SANDBLASTING PROCESS



THE SEATS ARE MADE WITH AN ALUMINUM CONSTRUCTION COVERED WITH A SOFT EPDM RUBBER



„BIRD NEST“ TYPE SEAT WITH A DIAMETER OF 100 CM, HANGED ON 6 MM STAINLESS STEEL CHAINS



POST ENDINGS FINISHED WITH SOFT EPDM RUBBER



SWING SLINGS, WITH DOUBLE BEARINGS



OPTIONAL:

SAFETY SEAT MADE OF ALUMINIUM AND STAINLESS STEEL COVERED WITH SOFT POLYURETHANE



BACK SUPPORT OF THE SEAT WITH STEEL CONSTRUCTION COVERED WITH SOFT POLYURETHANE



SEAT WITH A CONSTRUCTION MADE OF ALUMINIUM AND STAINLESS STEEL, DEDICATED FOR MOTHER AND CHILD



APPROVED SEAT – SEAT TYPE – HANGED ON R 6 MM CHAINS MADE OF STAINLESS STEEL. METAL FRAME COVERED BY SOFT POLYPROPYLENE ROPE



APPROVED SEAT MADE WITH ROTOMOULDED METHOD, DEDICATED FOR DISABLED USERS

