

2018

SINGLE



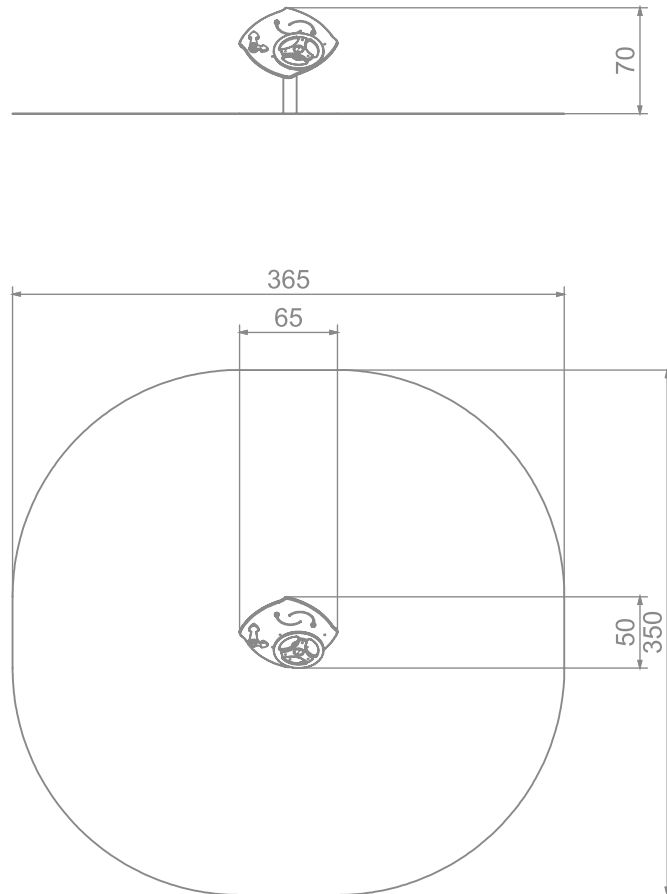
INFORMATION ABOUT THE PRODUCT

Dimensions	50 x 65 cm
Safety zone	350 x 365 cm
Safety zone area	11 m ²
Overall height	70 cm
Free fall height	
Amount of users	1
Product complies with EN 1176-1:2017	YES
Availability of spare parts	YES
Age range	1-7
<small>According to EN 1176-1:2017 norm, the product requires applying a safety surface according to the product's free fall height.</small>	



2018

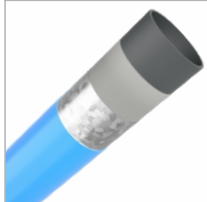
SINGLE



SCALE 1:50

MATERIALS:

SOLID CONSTRUCTION
MADE OF BLACK STEEL
IS235JR, CLEANED THE
SANDBLASTING PROCESS



PLATES OF THE WALLS
MADE OF COLOURFUL
TRIPLE LAYERED 15 MM
HDPE POLYETHYLENE

