



# 3011

## SINGLE



SOCIALIZING



SWINGING



### INFORMATION ABOUT THE PRODUCT

Dimensions	100 x 393 cm
Safety zone	670 x 235 cm
Safety zone area	16 m <sup>2</sup>
Overall height	187 cm
Free fall height	112 cm
Amount of users	4
Product complies with EN 1176-1:2017-12	YES
Availability of spare parts	YES
Age range	3-12

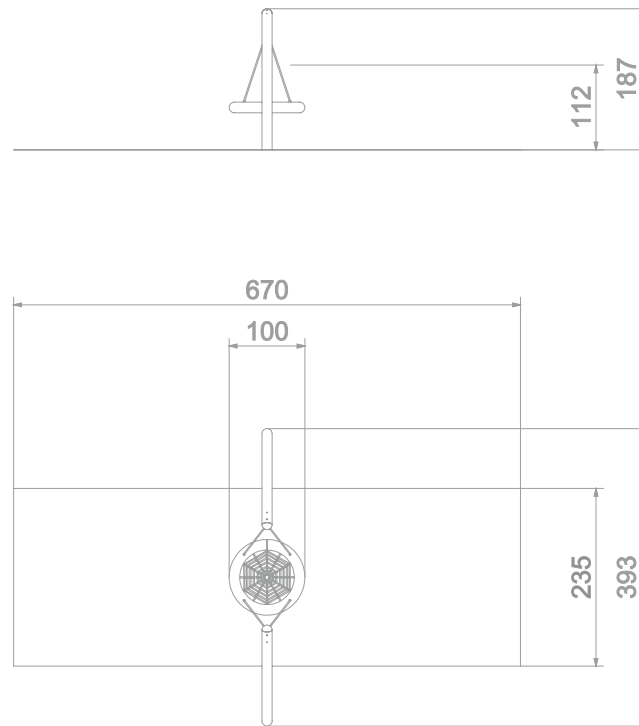
According to EN 1176-1:2017-12 norm, the product requires applying a safety surface according to the product's free fall height.



# 3011

## SINGLE

INFORMATION FOR ARCHITECTS



SCALE 1:100

### MATERIALS:

SOLID CONSTRUCTION  
MADE OF BLACK STEEL  
S235JR, CLEANED THE  
SANDBLASTING PROCESS

„BIRD NEST“ TYPE SEAT  
WITH A DIAMETER OF 100 CM,  
HANGED ON 6 MM STAINLESS  
STEEL CHAINS

