



3030

SINGLE



SOCIALIZING



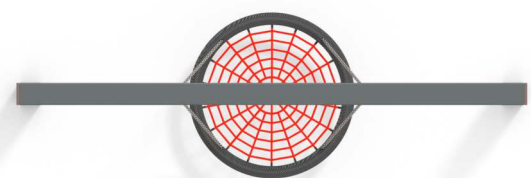
SWINGING



INFORMATION ABOUT THE PRODUCT

Dimensions	100 x 278 cm
Safety zone	750 x 235 cm
Safety zone area	18 m ²
Overall height	231 cm
Free fall height	133 cm
Amount of users	4
Product complies with EN 1176-1:2017-12	YES
Availability of spare parts	YES
Age range	3-12

According to EN 1176-1:2017-12 norm, the product requires applying a safety surface according to the product's free fall height.

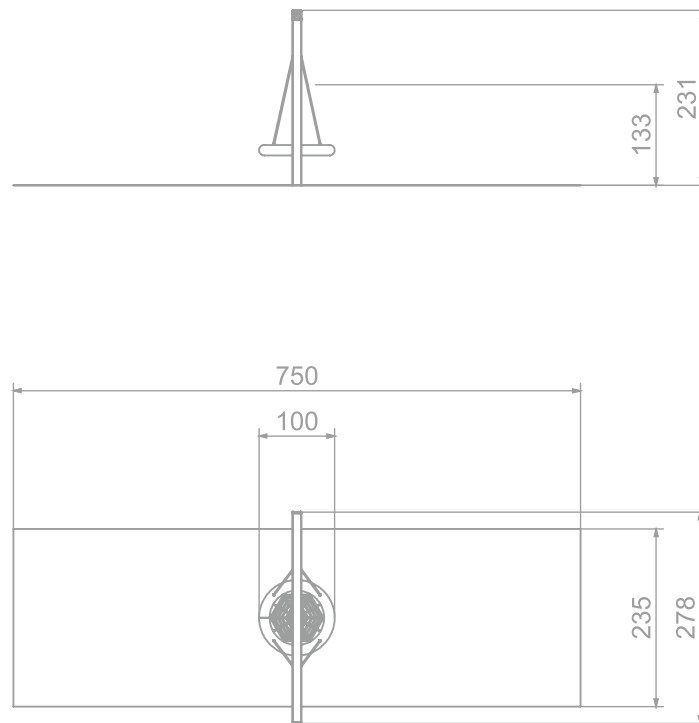




3030

SINGLE

INFORMATION FOR ARCHITECTS



SCALE 1:100

MATERIALS:

SOLID CONSTRUCTION MADE OF BLACK STEEL IS235JR. CLEANED THE SANDBLASTING PROCESS	SWING SLINGS, WITH DOUBLE BEARINGS
	
PLATES OF THE WALLS MADE OF COLORFUL TRIPLE LAYERED 15 MM HDPE POLYETHYLENE	„BIRD NEST“ TYPE SEAT WITH A DIAMETER OF 100 CM. HANGED ON 6 MM STAINLESS STEEL CHAINS
	

OPTIONAL:

APPROVED SEAT – SEAT TYPE – HANGED ON R 6 MM CHAINS MADE OF STAINLESS STEEL METAL FRAME COVERED BY SOFT POLYPROPYLENE ROPE	APPROVED SEAT MADE WITH ROTOMOULDED METHOD, DEDICATED FOR DISABLED USERS
	