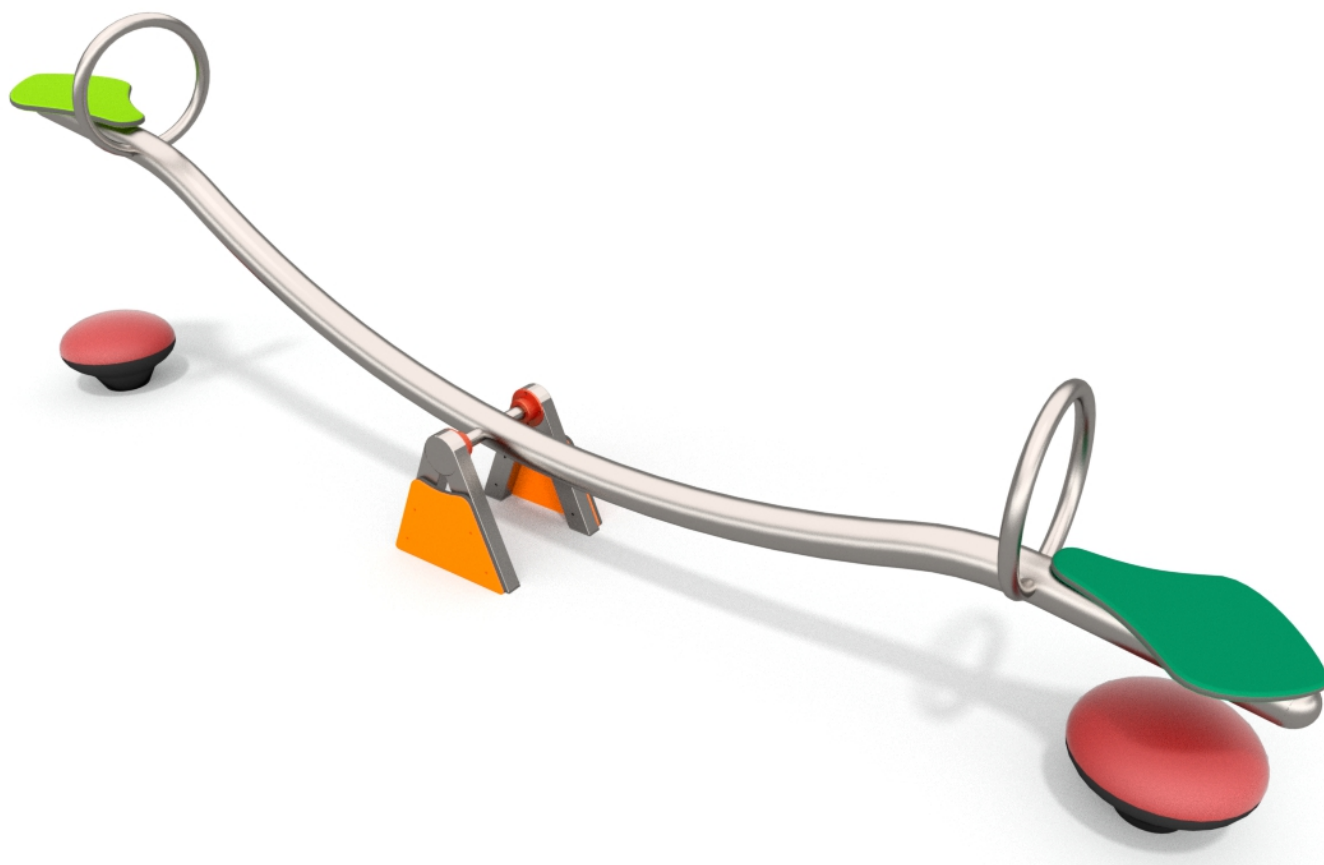


4008

SINGLE



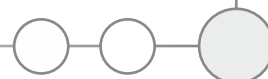
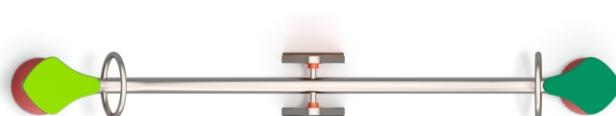
SOCIALIZING



INFORMATION ABOUT THE PRODUCT

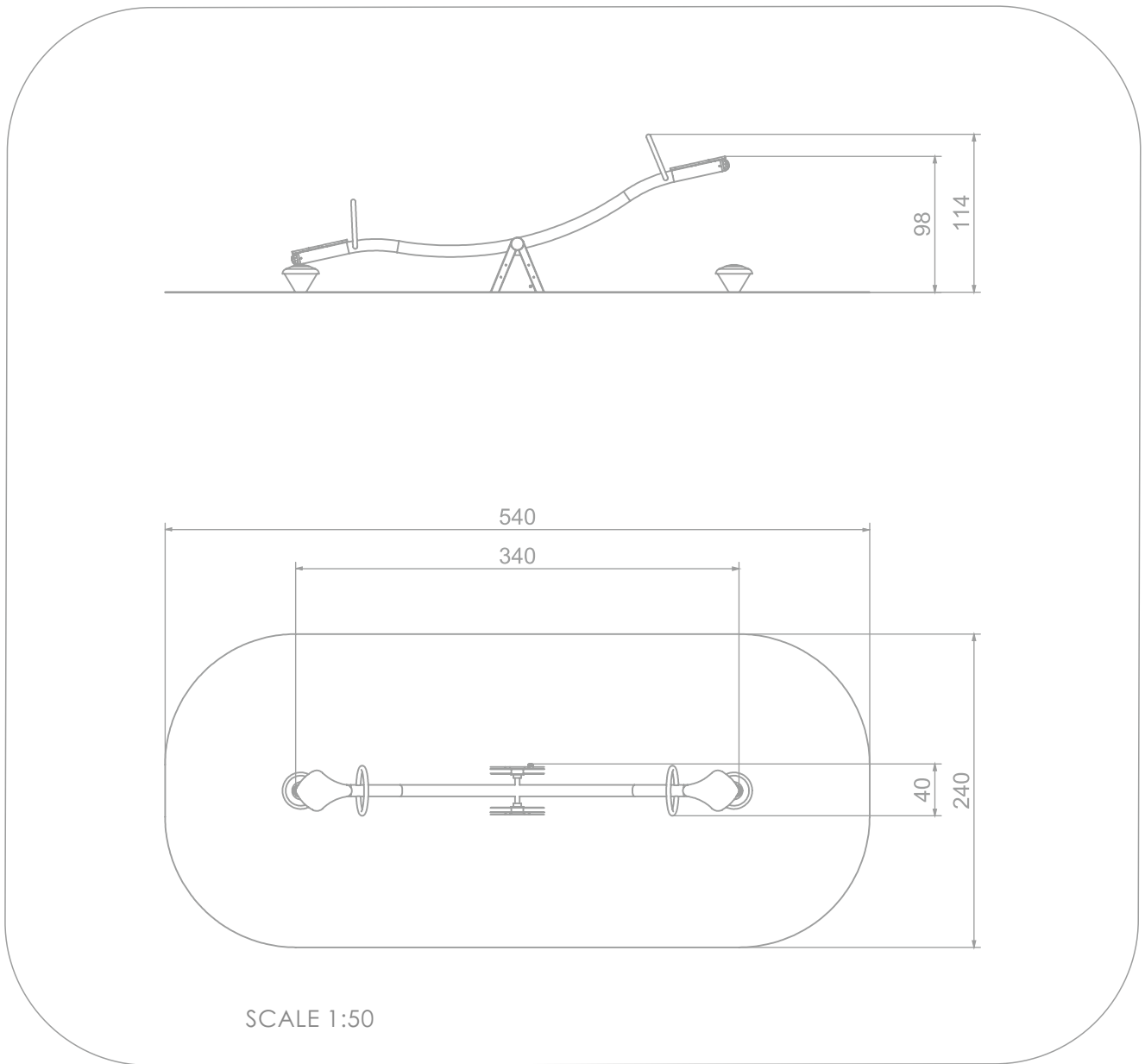
Dimensions	40 x 340 cm
Safety zone	240 x 540 cm
Safety zone area	13 m ²
Overall height	114 cm
Free fall height	98 cm
Amount of users	2
Product complies with EN 1176-1:2017-12	YES
Availability of spare parts	YES
Age range	3-12

According to EN 1176-1:2017-12 norm, the product requires applying a safety surface according to the product's free fall height.



4008

SINGLE



MATERIALS:

SOLID CONSTRUCTION
MADE OF STAINLESS STEEL
ASISI 304

PLATES OF THE WALLS MADE
OF COLORFUL TRIPLE
LAYERED 15 MM HDPE
POLYETHYLENE

