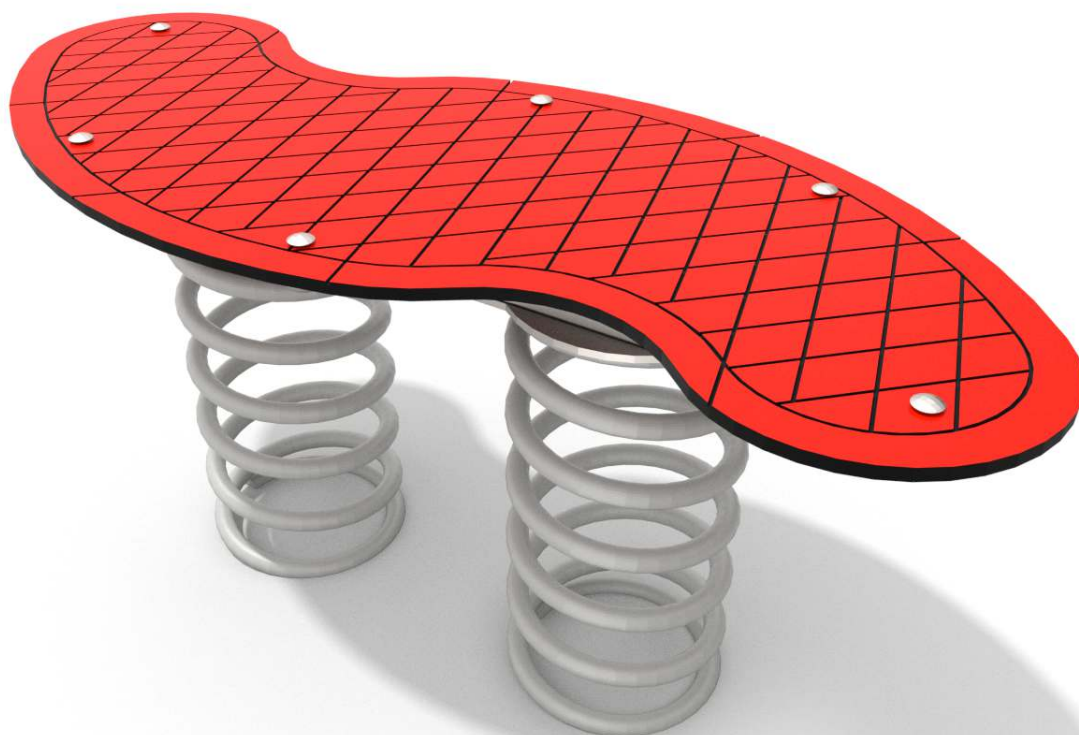


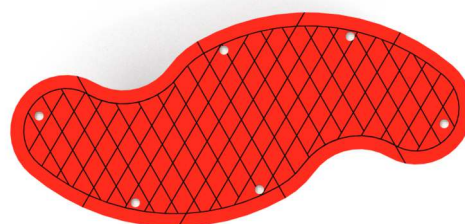
# 4012

# SINGLE



## INFORMATION ABOUT THE PRODUCT

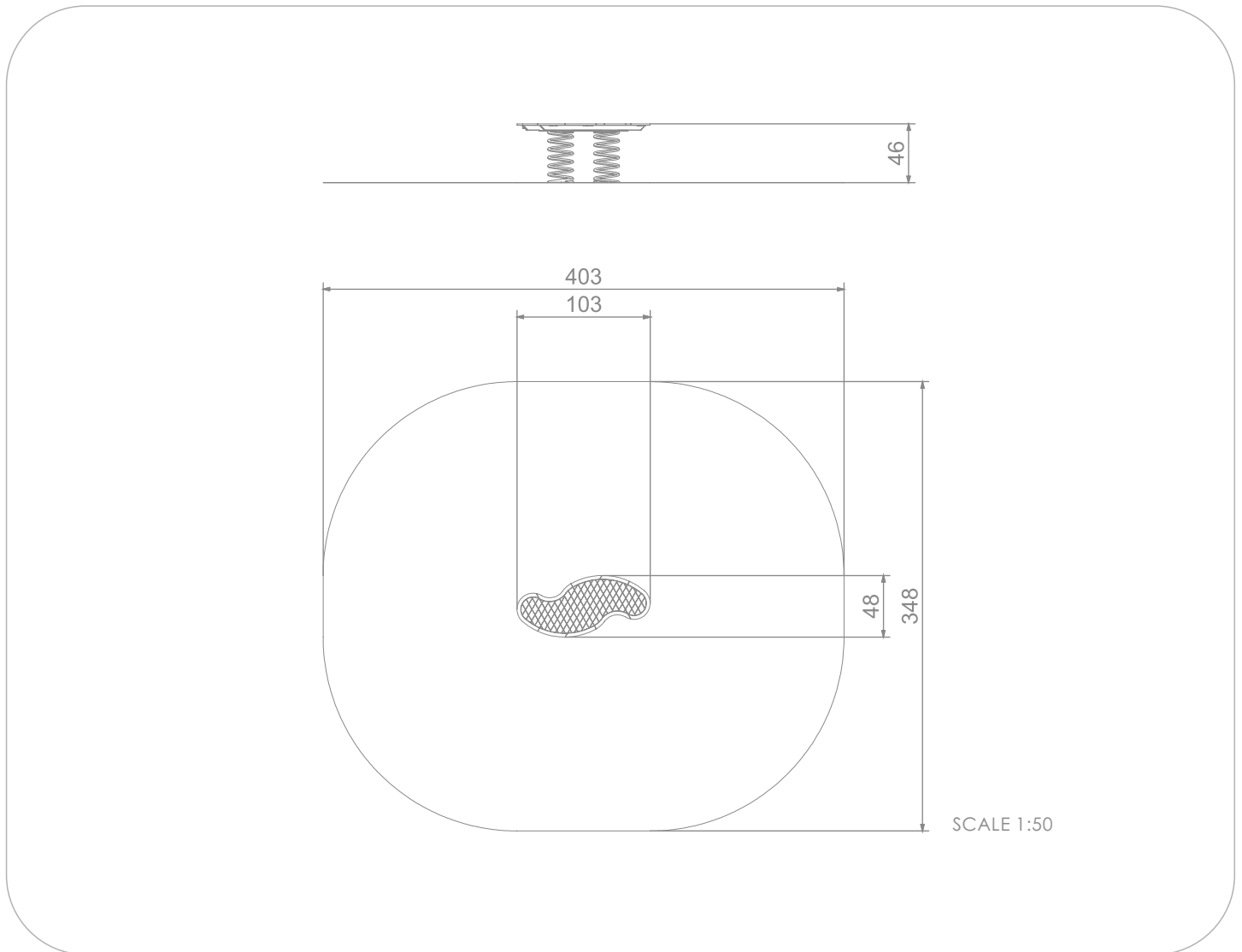
Dimensions	103 x 48 cm
Safety zone	403 x 348 cm
Free space	12,08 m <sup>2</sup>
Overall height	46 cm
Free fall height	46 cm
Amount of users	2
Product complies with PN-EN 1176-1:2017-12	YES
Availability of spare parts	YES
Age range	3-12
The biggest element	103 cm
The heaviest element	25 kg
According to PN-EN 1176-1:2017-12 norm, the product requires applying a safety surface according to the product's free fall height.	



# 4012

## SINGLE

INFORMATION FOR ARCHITECTS



### MATERIALS:

SPRINGERS' SPRINGS MADE OF SPRING STEEL

PLATES OF THE WALLS AND PLATFORMS MADE OF COLOURFUL 13 MM HPL

