

4047

SINGLE

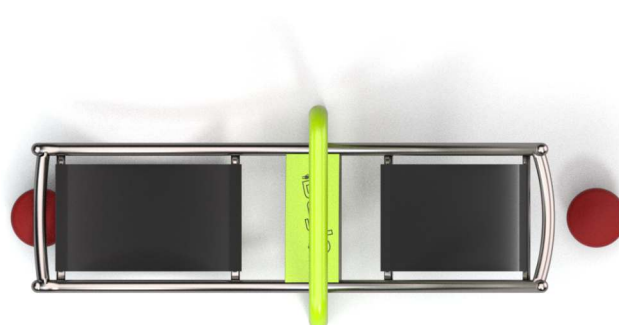


SOCIALIZING



INFORMATION ABOUT THE PRODUCT

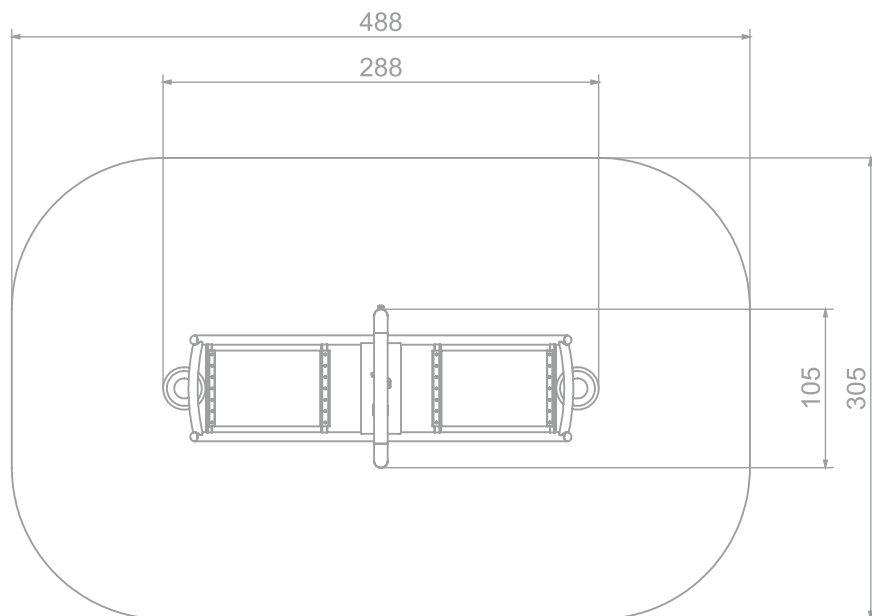
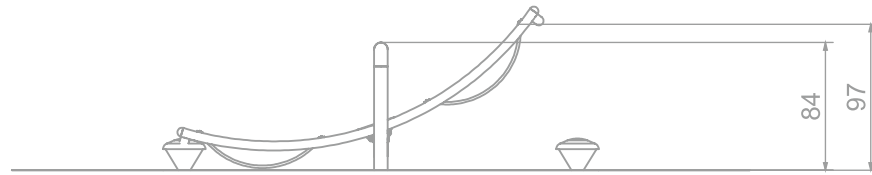
Dimensions	105 x 288 cm
Safety zone	305 x 488 cm
Free space	14,02 m ²
Overall height	84 cm
Free fall height	97 cm
Amount of users	2
Product complies with PN-EN 1176-1:2017-12	YES
Availability of spare parts	YES
Age range	3-12
According to PN-EN 1176-1:2017-12 norm, the product requires applying a safety surface according to the product's free fall height.	



4047

SINGLE

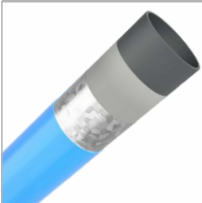
INFORMATION FOR ARCHITECTS



SCALE 1:50

MATERIALS:

SOLID CONSTRUCTION MADE OF BLACK STEEL S235JR, CLEANED IN THE SANDBLASTING PROCESS



REINFORCED RUBBER 17 MM THICK



RUBBER BUMPER MADE OF SOFT AND DURABLE EPDM RUBBER



SOLID CONSTRUCTION MADE OF STAINLESS STEEL AISI 304 TOTALLY

