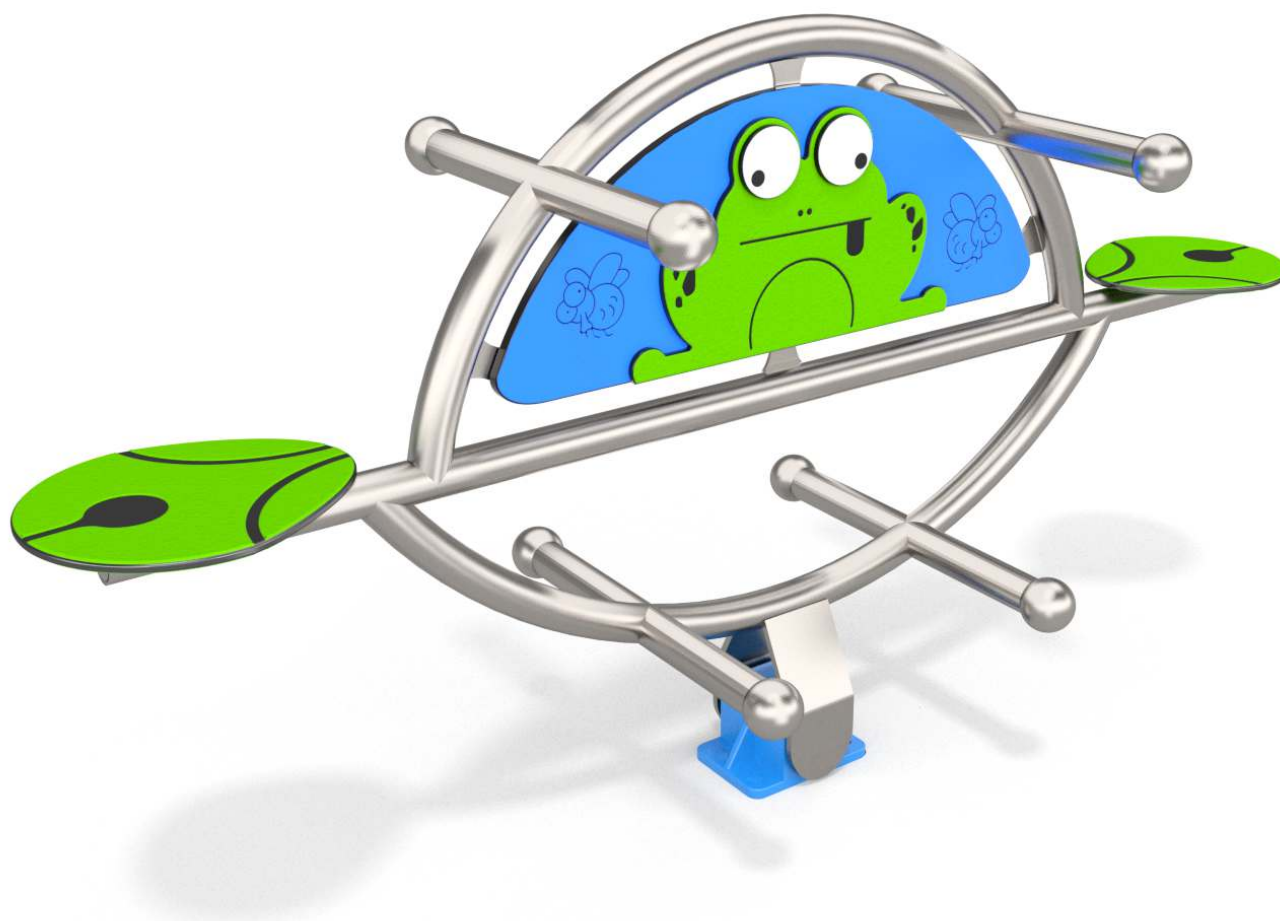


4070

SINGLE

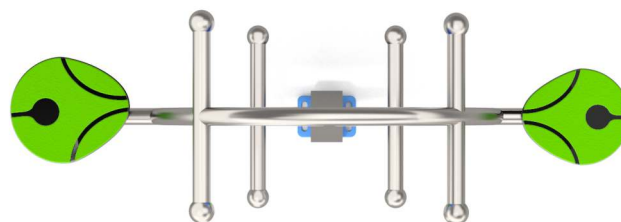


SOCIALIZING



INFORMATION ABOUT THE PRODUCT

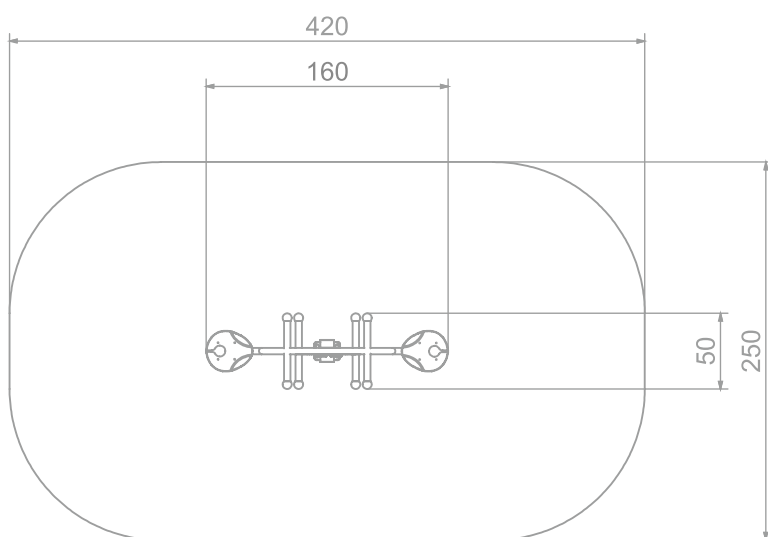
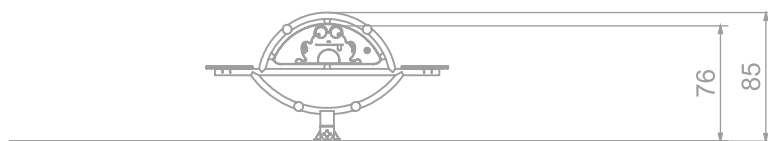
Dimensions	160 x 50 cm
Safety zone	420 x 250 cm
Free space	9,64 m ²
Overall height	85 cm
Free fall height	76 cm
Amount of users	2
Product complies with PN-EN 1176-1:2017-12	YES
Availability of spare parts	YES
Age range	3-12
According to PN-EN 1176-1:2017-12 norm, the product requires applying a safety surface according to the product's free fall height.	



4070

SINGLE

INFORMATION FOR ARCHITECTS



SCALE 1:100

MATERIALS:

SOLID CONSTRUCTION
MADE OF STAINLESS STEEL
ASISI 304 TOTALLY

PLATES OF THE WALLS MADE
OF COLORFUL TRIPLE
LAYERED 15 MM HDPE
POLYETHYLENE

