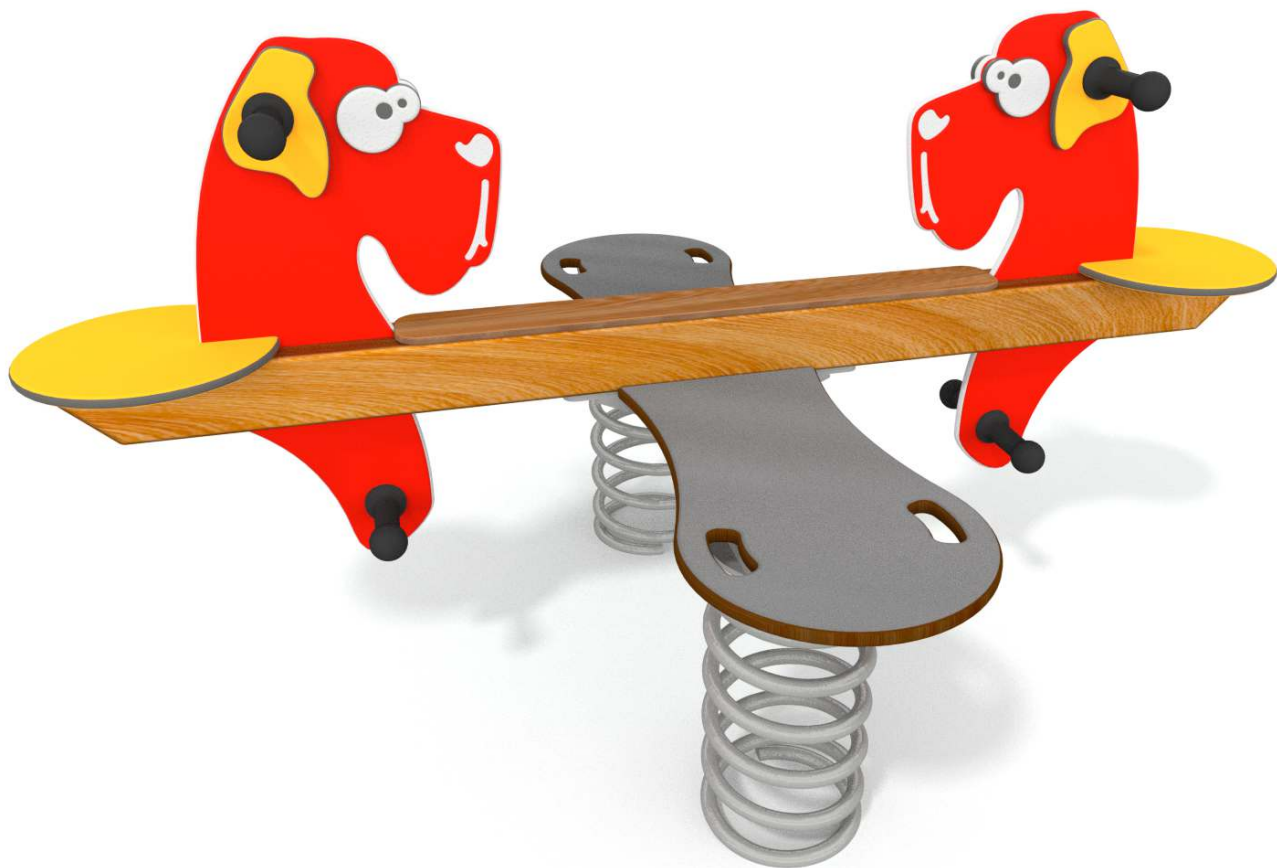


5020

SINGLE



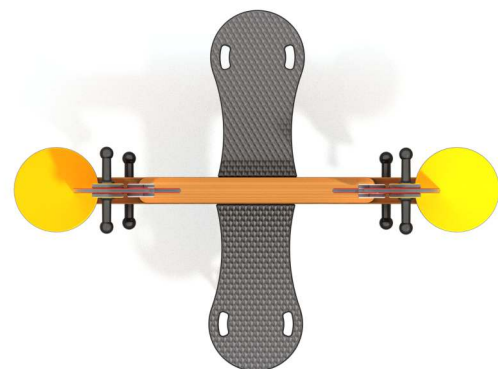
SOCIALIZING



INFORMATION ABOUT THE PRODUCT

Dimensions	122 x 179 cm
Safety zone	323 x 380 cm
Safety zone area	11,35 m ²
Overall height	89 cm
Free fall height	55 cm
Amount of users	4
Product complies with EN 1176-1:2017-12	YES
Availability of spare parts	YES
Age range	1-12

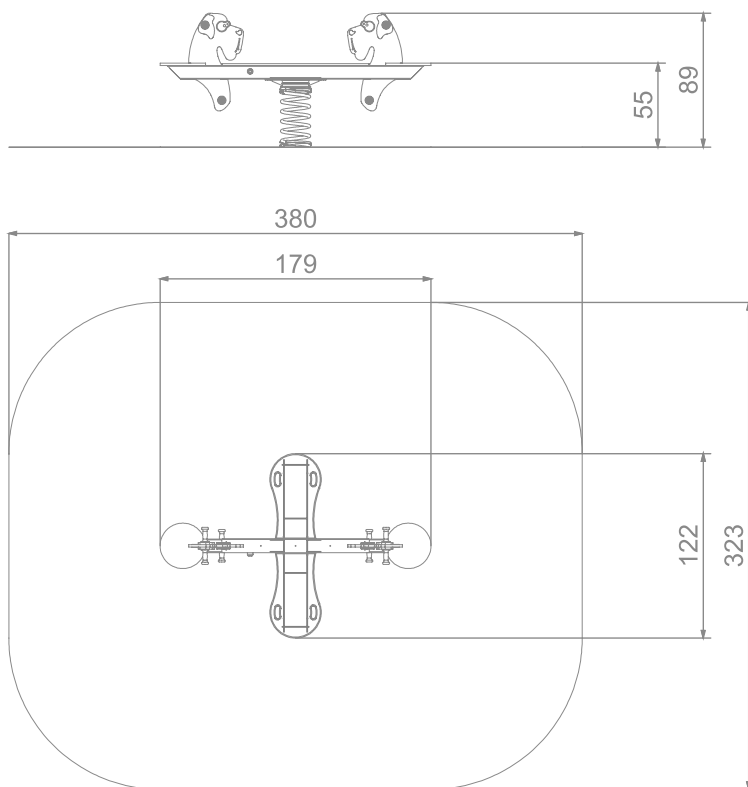
According to EN 1176-1:2017-12 norm, the product requires applying a safety surface according to the product's free fall height.



5020

SINGLE

INFORMATION FOR ARCHITECTS



SCALE 1:50

MATERIALS:

PLATES OF THE WALLS
MADE OF COLOURFUL
TRIPLE LAYERED 1.5 MM
HDPE POLYETHYLENE,
IN THE HIGHEST QUALITY



SOFT CONIFER WOOD
140 x 140 MM, CORELESS,
GLUED IN LAYERS WITH
POLYURETHANE GLUES,
TOTALLY RESISTANT TO WATER



SPRINGERS' SPRINGS MADE
OF SPRING STEEL



HANDHOLD MADE OF
INJECTION MOLDED
POLYAMIDE

