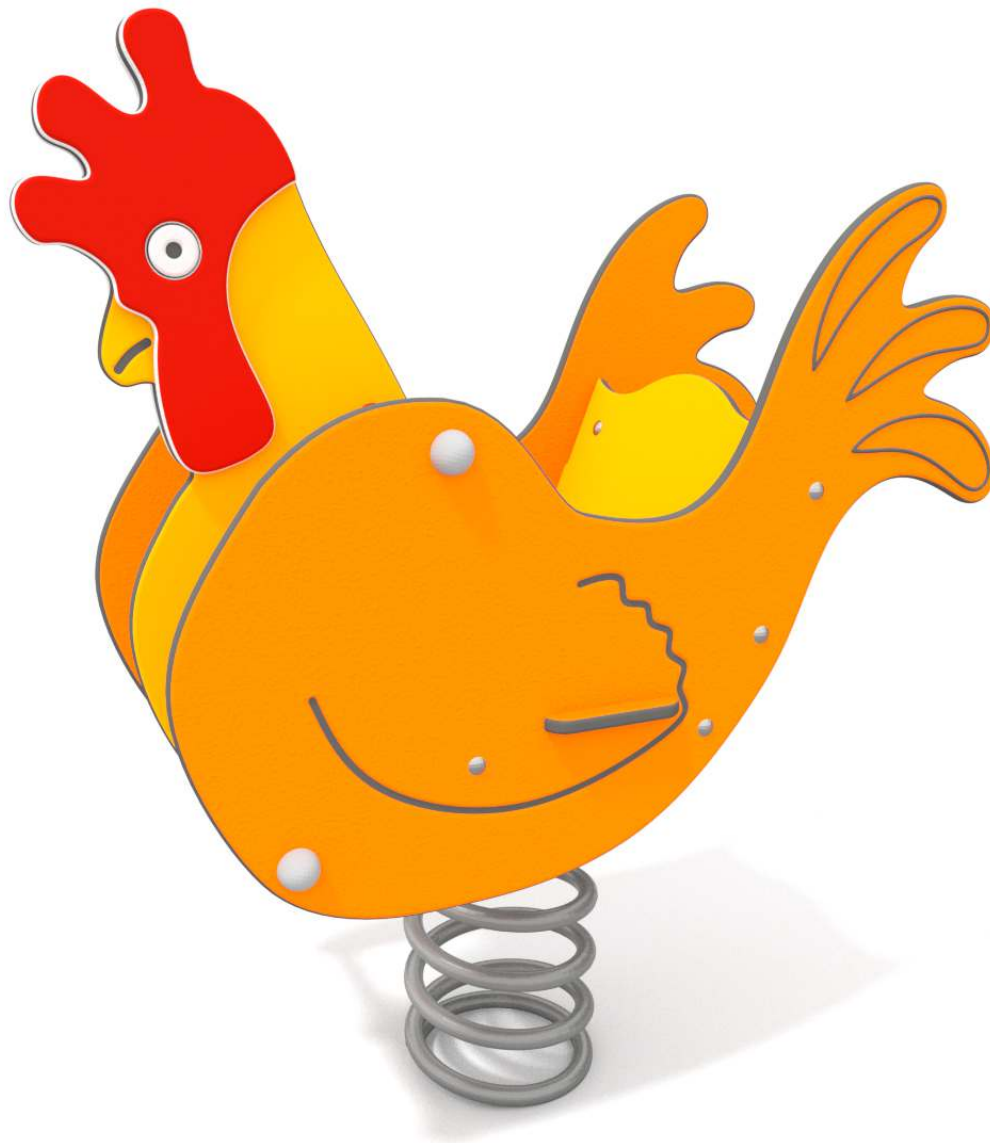


5022

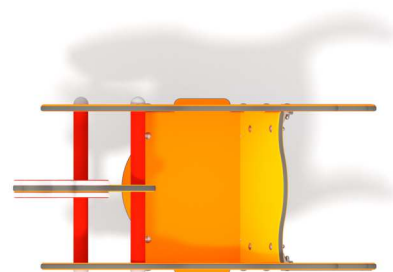
SINGLE

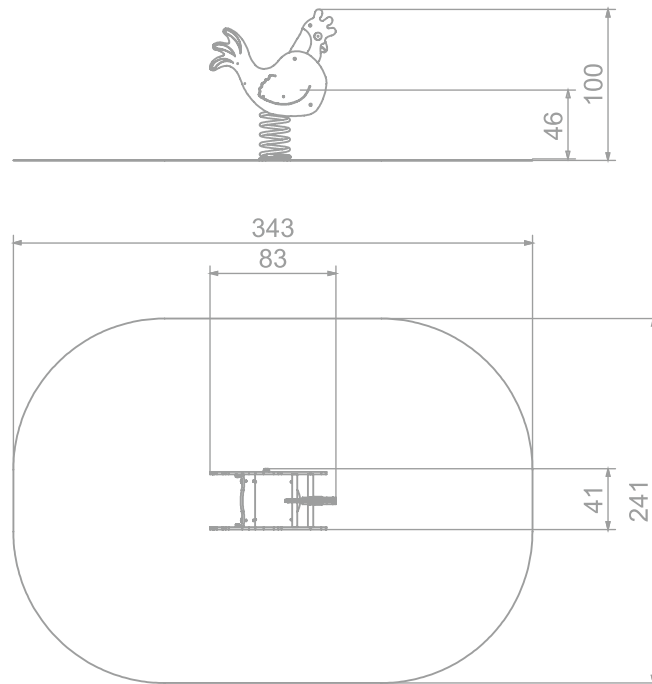


#### INFORMATION ABOUT THE PRODUCT

|   |                     |
|---|---------------------|
| Dimensions                              | 41 x 83 cm          |
| Safety zone                             | 241 x 343 cm        |
| Safety zone area                        | 7,41 m <sup>2</sup> |
| Overall height                          | 100 cm              |
| Free fall height                        | 46 cm               |
| Amount of users                         | 1                   |
| Product complies with EN 1176-1:2017-12 | YES                 |
| Availability of spare parts             | YES                 |
| Age range                               | 1-12                |

According to EN 1176-1:2017-12 norm, the product requires applying a safety surface according to the product's free fall height.





SCALE 1:50

MATERIALS:

|  |   |   |
|--|---|---|
| <p>ELEMENTS CONSTRUCTION MADE OF STAINLESS STEEL ASISI 304</p>                     | <p>PLATES OF THE WALLS MADE OF COLOURFUL TRIPLE LAYERED 15 MM HDPE POLYETHYLENE</p> | <p>SPRINGERS' SPRINGS MADE OF SPRING STEEL</p>                                      |
|  |  |  |
| <p>PLATE AND ROPE CONNECTORS MADE OF INJECTION MOLDED POLYAMIDE</p>                | <p>CONNECTING ELEMENTS LIKE SCREWS, NUTS, WASHERS MADE OF STAINLESS STEEL</p>       |   |
|  |  |   |

